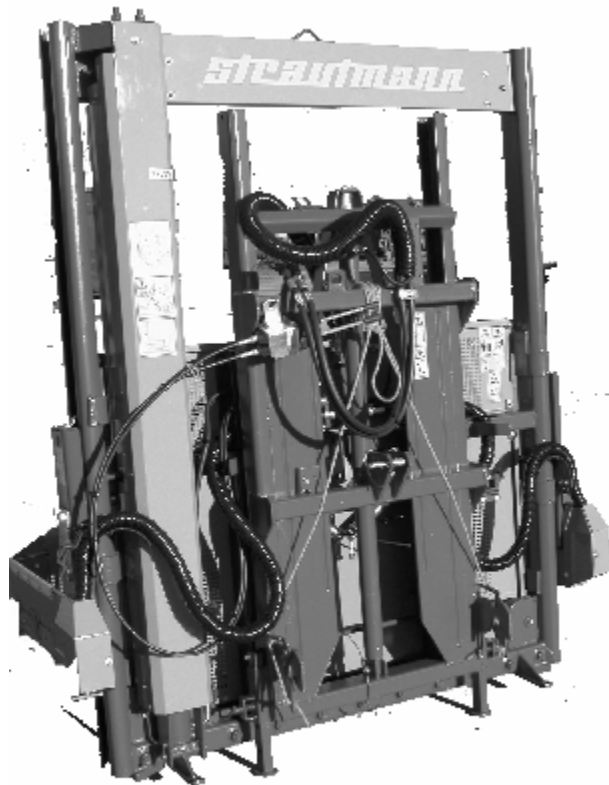

straumann

ERSATZTEILE SPARE PARTS



Silage cutter HYDROFOX HX 1 – HX 4

B. Straumann u. Söhne GmbH & Co. KG
Maschinenfabrik
Bielefelder Str. 53
D 49196 Bad Laer

Tel.: ++ 49 (0) 5424-802-0
Fax: ++ 49 (0) 5424-802-64
Email: kontakt@straumann.com
Internet: www.straumann.com

Table of contents

Building group	Group Nr.	Page
Frame.....	1	7
Guards	2	11
Cutting frame.....	3	15
Feed and cable guide.....	4	19
Lifting frame.....	5	23
Hydraulic upper link, pusher, cross pusher	6	27
Drive silo block distributor.....	7	31
Frame and cladding SBV.....	8	37
Remote control mechanical	9	41
Remote control electrohydraulic	10	45
Feed cylinder HX 1-4.....	11	47
Hydraulic cylinder lateral HX 1-4.....	12	49
Hydraulic cylinder for lifting frame HX 1-4	13	51
Hydraulic cylinder for pusher HX 1-4	14	53
Hydraulic cylinder for upper link HX 1-4.....	15	55
Hydraulic cylinder for cross pusher HX 1-4	16	57
Basic valve actuator HX.....	17	59
Hydr. conn. diagram HX with remote control mech.	18	61
Hydr. con. diagr. HX w. rem. contr. electroh. SBV	19	65
Hydr. conn. diagr. w. remote control electroh.....	20	71

... your direct way to Strautmann spare parts center ...

Order acceptance

Mr. Franz Bevermann fon.: ++ 49 (0) 5424-802-28
Fax: ++ 49 (0) 5424-802-64

Mr. Heinz Hermann Schobbe fon.: ++ 49 (0) 5424-802-31
Fax: ++ 49 (0) 5424-802-64
Email: schobbe@strautmann.com

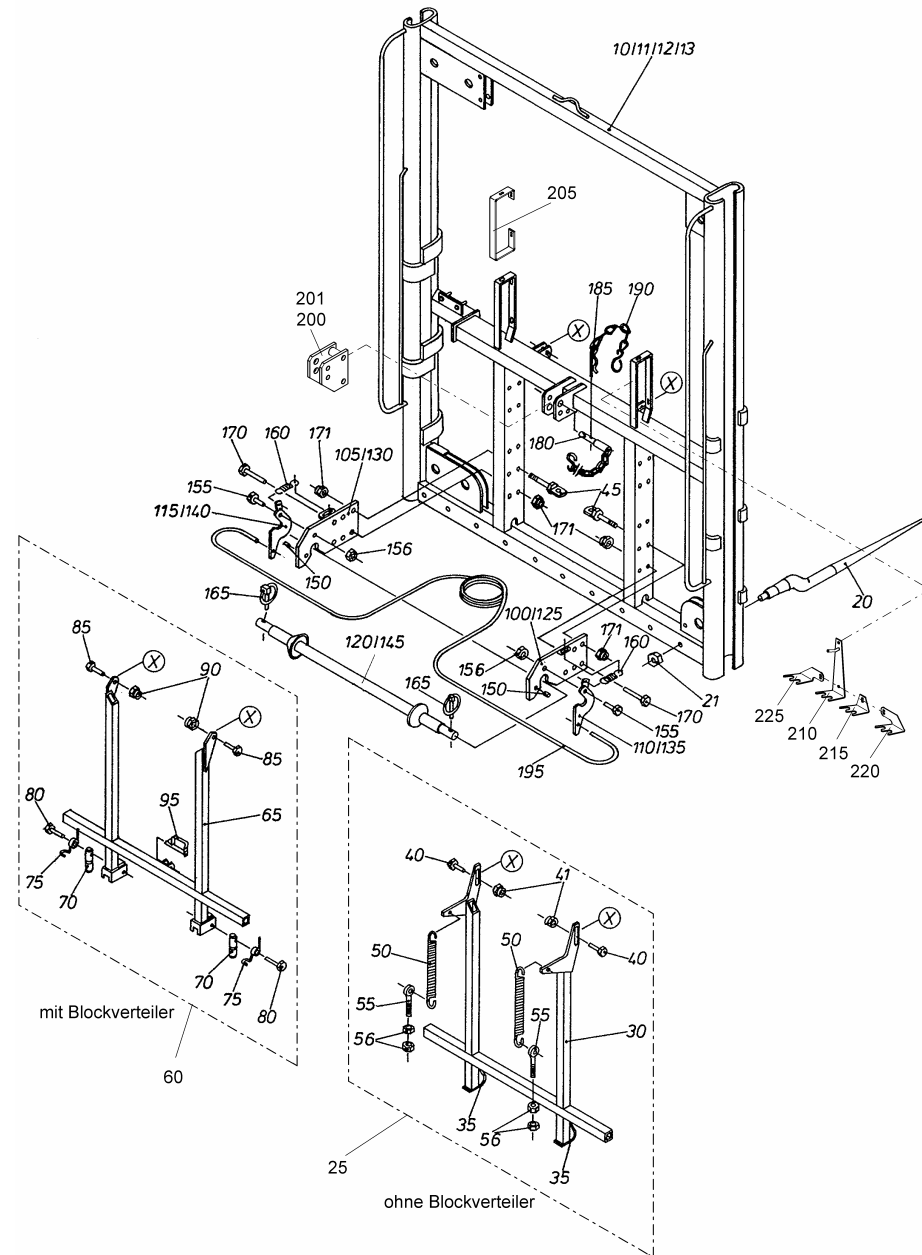
Mrs. Elisabeth Wessel-Storck fon.: ++ 49 (0) 5424-802-83
Fax: ++ 49 (0) 5424-802-64

Customer service

Mr. Heinrich Hollmann fon.: ++ 49 (0) 5424-802-29
Email: hollmann@strautmann.com
Fax: ++ 49 (0) 5424-802-64

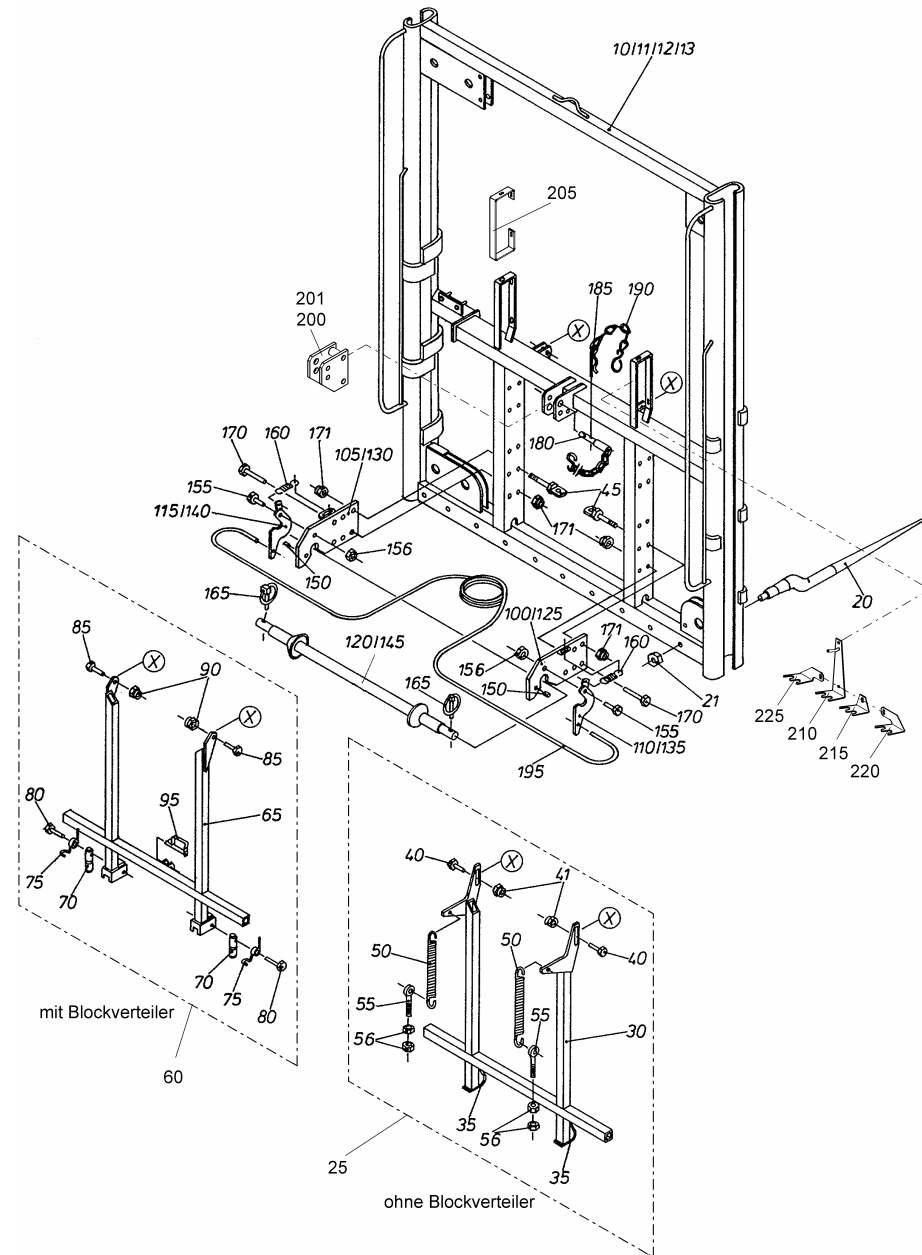
Online-Service

Mr. Heiner Plogmann fon: ++ 49 (0) 5424-802-33
Fax: ++ 49 (0) 5424-802-9933
Email: plogmann@strautmann.com



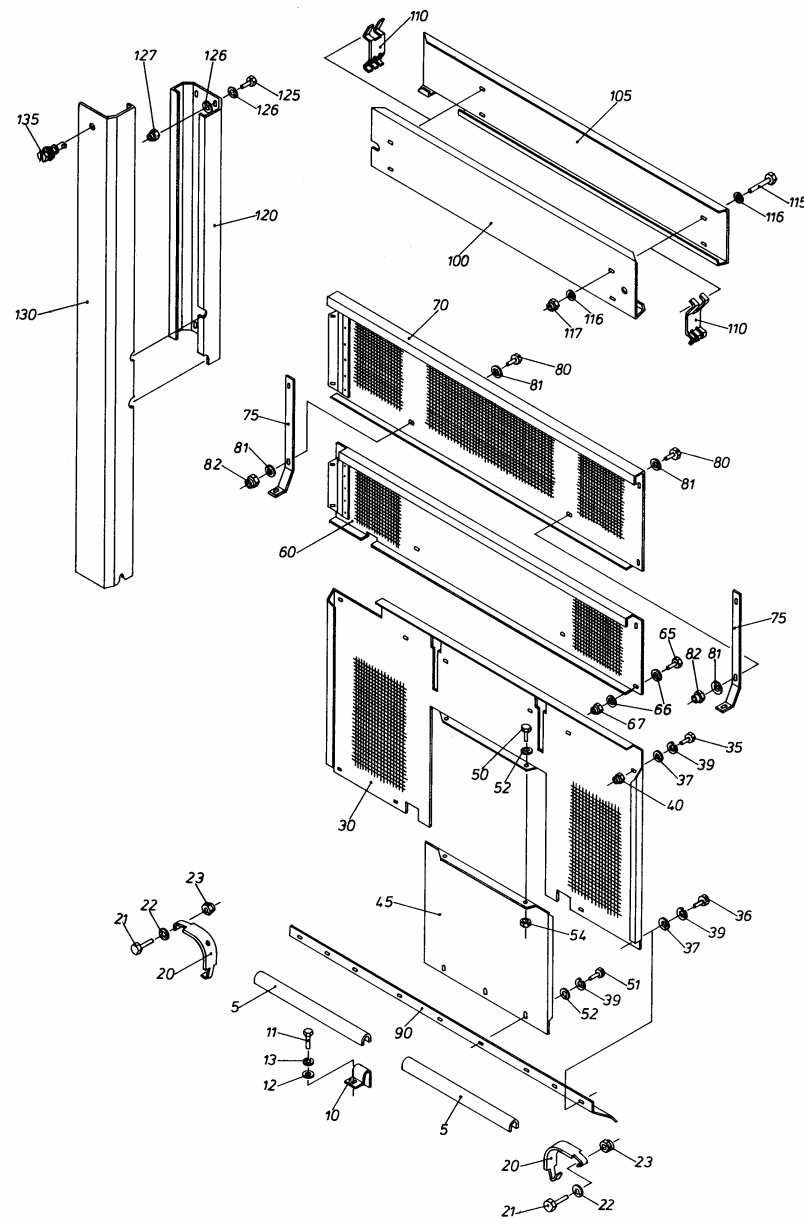
Frame

Pos	Article. No.	Quant.	Designation	Size	Description
010	28501705	1.0	Frame complete HK 1		
011	28601715	1.0	Frame complete HK 2		
012	28701705	1.0	Frame complete HK 3		
013	28801705	1.0	[Rahmen vollst. HK 4]		
020	26501502	11.0	Tines	DR 36 x 905	M20, bis ca. Bj. 96
020	28601501	11.0	Tines	DR 36 x 920	M22, ab ca. Bj. 97
021	86500015	11.0	Hexagonal nut DIN 934	M 20 x 1,5 GESTEMPELT	bis ca. Bj. 96
021	86500054	11.0	Hexagonal nut DIN 934	M 22 x 1,5	ab ca. Bj. 97
022	86500680	11.0	Limes spring washer	C 22,5	ohne Abb.
025	28613600	1.0	Pusher mechanical		oh. Blockverteiler
030	28613700	1.0	Mech. pusher complete galvanized		
035	26513006	2.0	Skid	6 x 40 x 140	
040	86501508	2.0	Hexagon screw DIN 931	M 10 x 40	
041	86500304	2.0	Locknut	N M 10	
045	26513703	2.0	Eye complete		
050	24006500	2.0	Tension spring for lowering lever -galv.-		
055	86503407	2.0	Eyebolt galvanized	ERSETZT DURCH 86503424	
056	86500001	4.0	Hexagonal nut DIN 934	M 10	
060	28613601	1.0	Pusher mechanical /SBV/	BEI AUSRÜSTUNG MIT SILOBLOCKV.	bei Blockverteiler
065	28613702	1.0	Pusher mech. complete		
070	27113100	2.0	Swivel pin	DR 25 x 80	
075	26513500	2.0	Spring for pusher	FEDERSTAHL DRAHT 2, FORM C	
080	86501520	2.0	Hexagon screw DIN 931	M 10 x 65	
085	86501508	2.0	Hexagon screw DIN 931	M 10 x 40	
090	86500304	4.0	Locknut	N M 10	
095	47551602	1.0	Bolt complete galvanized		
100	26501708	1.0	Suspension hook left complete		Kat. II, Welle DR35
105	26501709	1.0	Suspension hook right complete		Kat. II, Welle DR35
110	26501710	1.0	Check hook left complete		Kat. II, Welle DR35
115	26501711	1.0	Check hook right complete		Kat. II, Welle DR35
120	26501721	1.0	Supporting shaft Cat. II complete		Kat. II
125	26501725	1.0	Suspension hook left complete/Cat. III		Kat. III, Welle DR45
130	26501726	1.0	Suspension hook right complete /CAT.III		Kat. III, Welle DR45



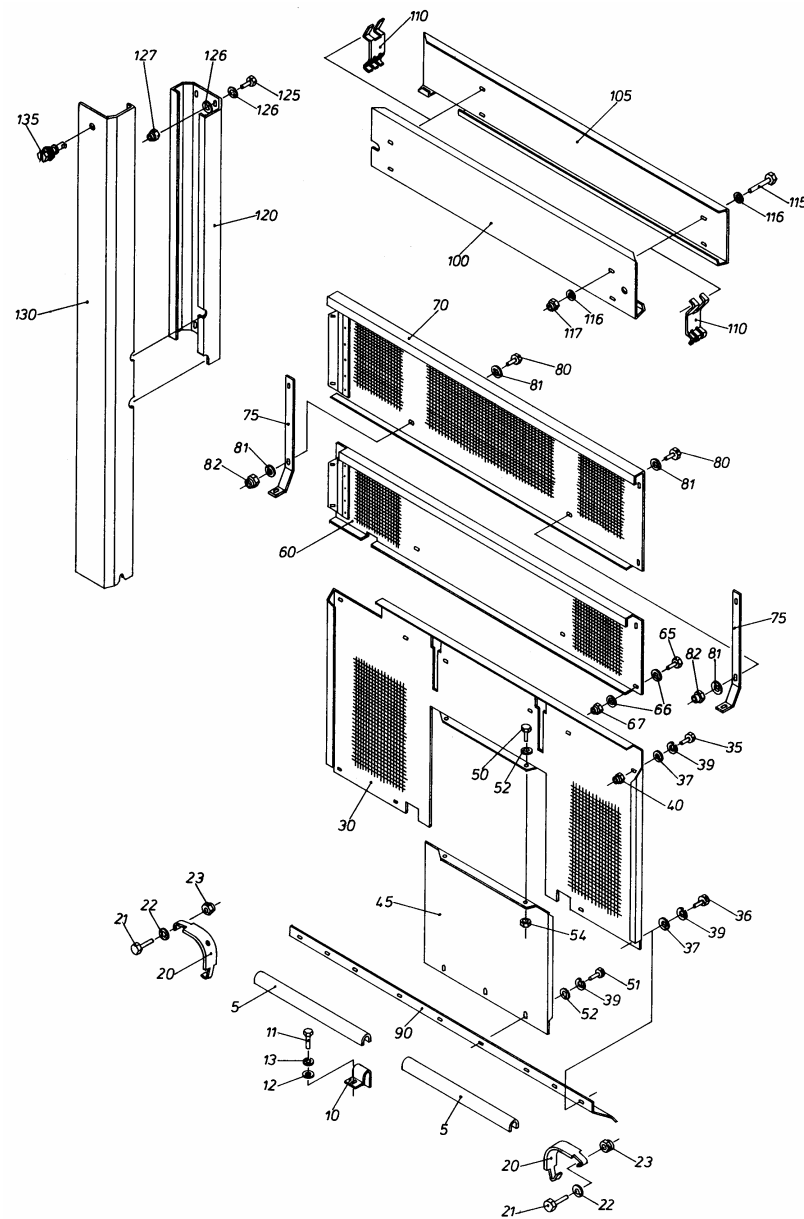
Frame

Pos	Article. No.	Quant.	Designation	Size	Description
135	26501723	1.0	Check hook left complete Cat. III		Kat. III, Welle DR45
140	26501724	1.0	Check hook right complete CAT. III		Kat. III, Welle DR45
145	26501722	1.0	Support shaft Categ. 3 complete		Kat. III
150	86504016	2.0	Tightening sleeve	8 x 24	
155	86501514	2.0	Hexagon screw DIN 931	M 12 x 35	
156	86500006	2.0	Hexagonal nut DIN 934	M 12	
160	26501500	2.0	Return spring	FEDERSTAHL DRAHT KL. B VZK.	
165	86504227	2.0	Clip splint	DR 10	
170	86501422	6.0	Hexagon screw DIN 931	M 14 x 100	
171	86500306	8.0	Locknut	N M 14	
180	23503706	1.0	Upper link bolt complete		Kategorie III
180	24101718	1.0	Bolt for upper link complete		Kategorie II
185	86504404	1.0	Wire pin 6, 3 DIN 11024 galvanized.	DR 4	
190	86507255	1.0	Guard chain complete 7 links	170 mm lg. (DURESTA-NR. 16)	
195	87006018	1.0	Polypropylene cable	DR 8 / METERWARE	
200	28212700	1.0	Upper link seat complete	KATEGORIE 2	
201	28212701	1.0	Upper link seat complete	KATEGORIE 3	
205	28201007	1.0	Hose mount	30 x 5 x 626	
210	28601712	1.0	Hose mount complete		
215	28641206	1.0	Hose mount	3 x 80 x 125	f. Blockverteiler
220	28605201	1.0	Hose mount left	3 x 135 x 135	f. Direktanschluß
225	28605201	1.0	Hose mount left	3 x 135 x 135	f. Direktanschluß



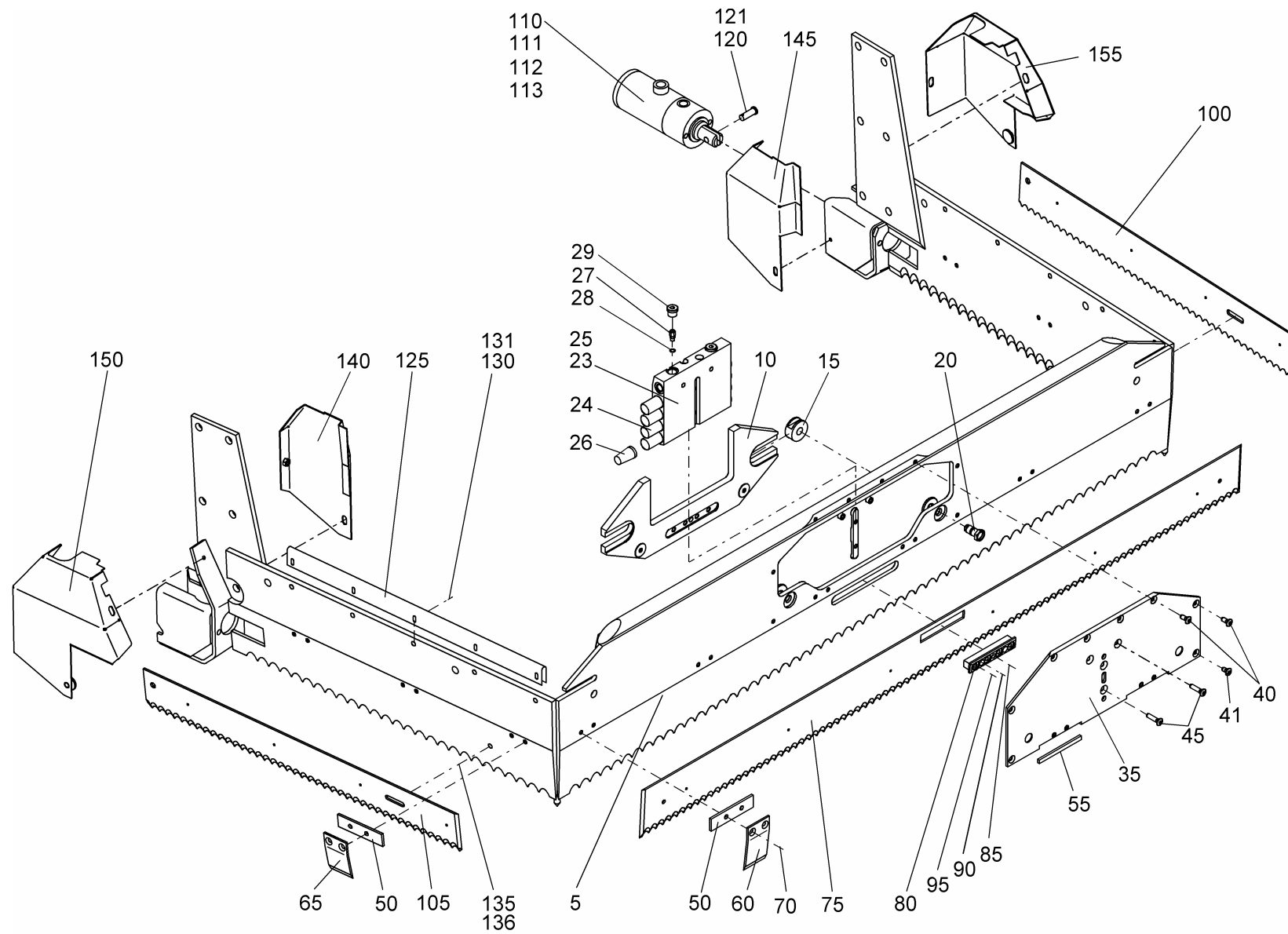
Guards

Pos	Article. No.	Quant.	Designation	Size	Description
005	28222201	2.0	Cable guard	1,25 x 75 x 590	
010	26522213	1.0	Clamp	1,5 x 50 x 97	
011	86501318	1.0	Hexagon screw DIN 933	M 6 x 12	
012	86501104	1.0	Washer DIN 9021 galvanized	A 6,4	
013	86500662	1.0	Spring washer DIN 127	A 6	
020	26522204	2.0	Protective cap	1,5 x 60 x 286	für Seilrolle unten
021	86501535	4.0	Hexagon screw DIN 931	M 6 x 50	
022	86500916	4.0	Washer DIN 9021	A 6,4	
023	86500310	4.0	Locknut	N M 6	
030	28201206	1.0	Rear panel / perforated plate	2 x 888 x 1674	ab Bj. 95
030	28601203	1.0	Rear panel / perforated plate	2 x 888 x 1580	bis Bj. 95
035	86502015	6.0	Hexagon screw DIN 933 galvanized.	M 8 x 25	
036	86502014	4.0	Hexagon screw DIN 933 galvanized.	M 8 x 20	
037	86501116	16.0	Washer DIN 125-A 8.4 galvanized		
039	86500753	4.0	Spring washer DIN 127 galvanized	A 8	
040	86500303	6.0	Locknut	N M 8	
045	28601201	1.0	Closing plate	2 x 566 x 660	
050	86502015	2.0	Hexagon screw DIN 933 galvanized.	M 8 x 25	
051	86502014	3.0	Hexagon screw DIN 933 galvanized.	M 8 x 20	
052	86501116	7.0	Washer DIN 125-A 8.4 galvanized		
053	86500753	3.0	Spring washer DIN 127 galvanized	A 8	
054	86500303	6.0	Locknut	N M 8	
060	28201207	1.0	Rear panel middle/ perforated plate	1,5 x 384 x 1600	ab Bj. 95
060	28601709	1.0	Rear panel middle complete		bis Bj. 95
065	86502015	8.0	Hexagon screw DIN 933 galvanized.	M 8 x 25	
066	86501116	16.0	Washer DIN 125-A 8.4 galvanized		
067	86500303	8.0	Locknut	N M 8	
070	28341700	1.0	Rear panel top complete		ab Bj. 95
070	28741700	1.0	Rear panel top complete		bis Bj. 95
075	28741001	2.0	Support	30 x 6 x 496	
080	86502015	10.0	Hexagon screw DIN 933 galvanized.	M 8 x 25	
081	86501116	20.0	Washer DIN 125-A 8.4 galvanized		
082	86500303	10.0	Locknut	N M 8	



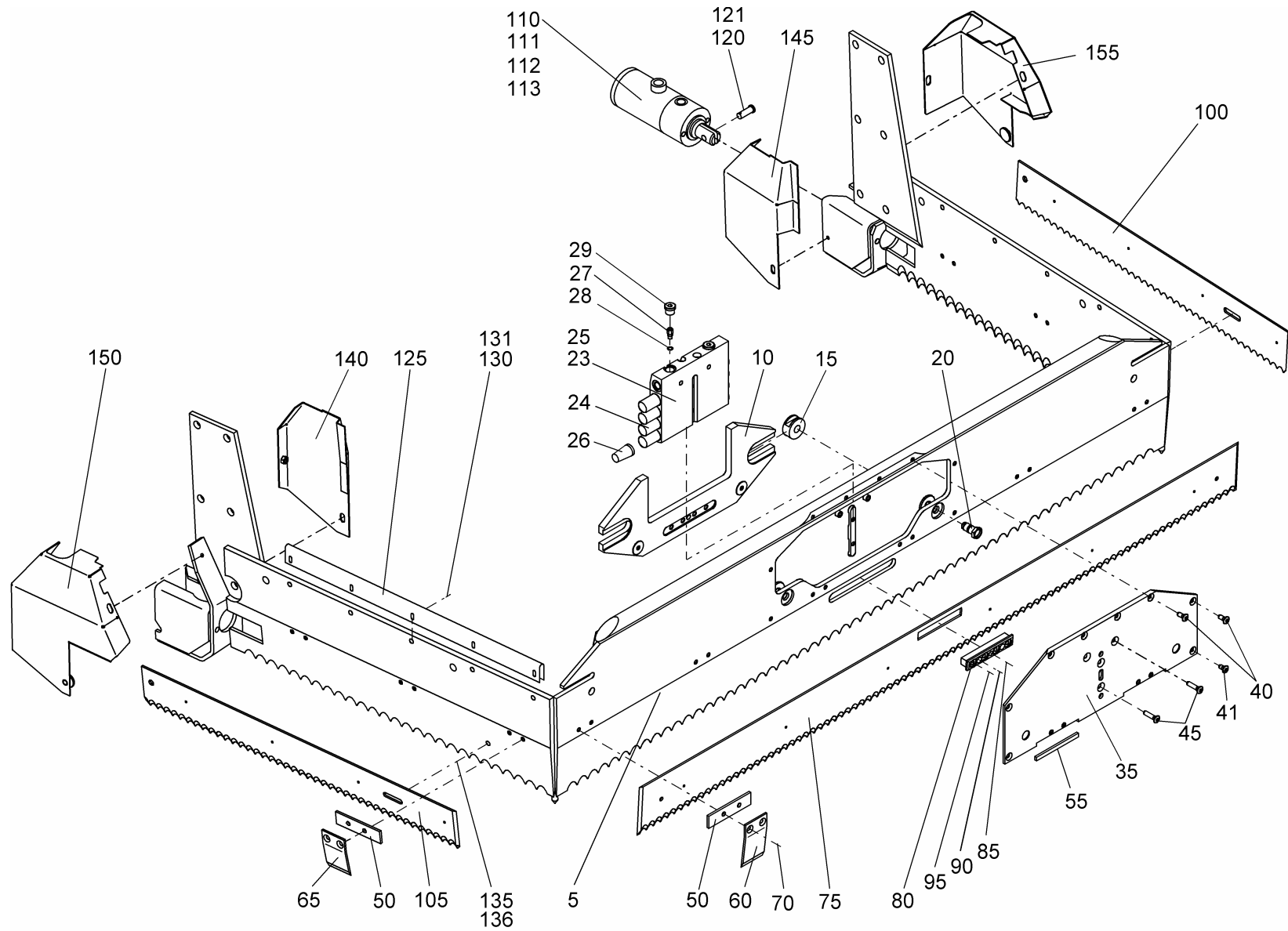
Guards

Pos	Article. No.	Quant.	Designation	Size	Description
090	26541218	1.0	Tine cover plate	3 x 125 x 1560	
100	28222203	1.0	Cover plate top front	1,25 x 295 x 1424	ab Bj. 95
100	28622203	1.0	Cover plate top front	1,25 x 295 x 1360	bis Bj. 95
105	28222204	1.0	Cover plate top rear	1,25 x 295 x 1627	ab Bj. 95
105	28622204	1.0	Cover plate top rear	1,25 x 295 x 1570	bis Bj. 95
110	28622202	2.0	Spacer plate galvanized	3 x 66 x 170	
115	86502258	4.0	Hexagon screw DIN 931 galvanized	M 8 x 85	
116	86501116	8.0	Washer DIN 125-A 8.4 galvanized		
117	86500303	4.0	Locknut	N M 8	
120	28122200	1.0	Guard rear	1,25 x 330 x 790	f. HC1 / HK1 / HX1
121	28222202	1.0	Guard rear	1,25 x 330 x 1090	f. HC1 / HK1 / HX2
122	28322200	1.0	Guard rear	1,25 x 330 x 1290	f. HC3 / HK3 / HX3
123	28422200	1.0	Guard rear	1,25 x 330 x 1490	f. HC4 / HK4 / HX4
125	86502015	4.0	Hexagon screw DIN 933 galvanized.	M 8 x 25	
126	86501116	8.0	Washer DIN 125-A 8.4 galvanized		
127	86500303	4.0	Locknut	N M 8	
130	28522600	1.0	Guard front complete		f. HC1 / HK1 / HX1
131	28622600	1.0	Guard front complete		f. HC2 / HK2 / HX2
132	28722600	1.0	Guard front complete		f. HC3 / HK3 / HX3
133	28822600	1.0	Guard front complete		f. HC4 / HK4 / HX4
135	87004260	1.0	[Schlitzkopf 6kt. / SW 13]	991 S01-11-1 AF (FA. CAMLOC)	
136	87004258	1.0	Holding disc	991 W04 - 1 AF (FA. CAMLOC)	



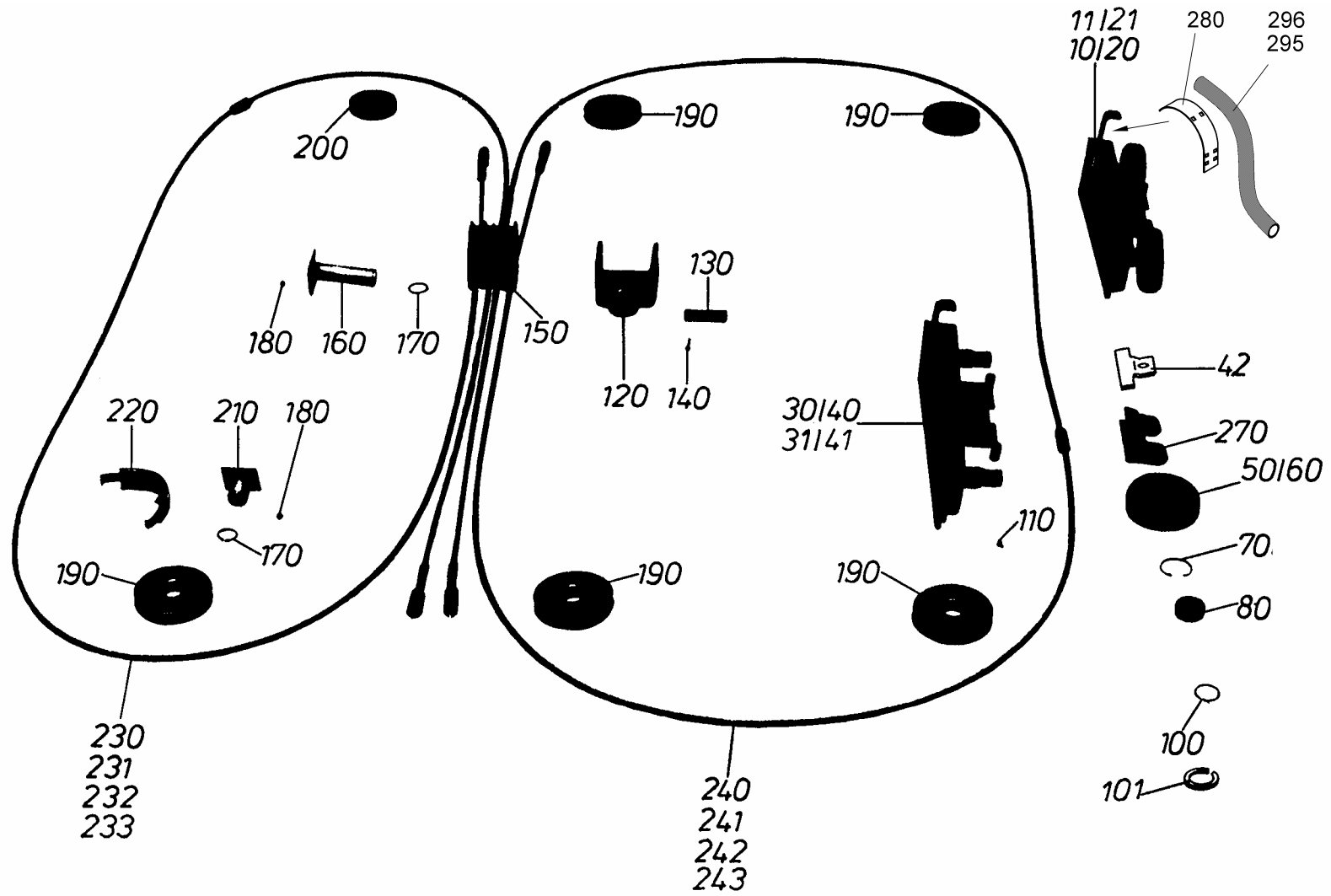
Cutting frame

Pos	Article. No.	Quant.	Designation	Size	Description
000	28602626	1.0	EM-HX cutting frame pitch 30 complete		
005	28602769	1.0	HX cutting frame pitch 30 complete		
010	28602711	1.0	Pusher segment complete		
015	28602027	2.0	Guide block	DR 45 x 19	
020	28602111	2.0	Adapter screw	SW 22 x 40,5	
023	28605517	1.0	Cylinder block	4 x DR 25 - Hub 32	
024	88002419	8.0	Piston DR 25 complete	00.61.1039	
025	87010312	1.0	Seal set for cylinder block 25	n.Zg. 286-05.514 / 93.00.0904	
026	28605101	1.0	Cone bushing for sealing set mounting	DR 25 x 42	
027	88002420	2.0	Non-return valve	40.00.0039	
028	86507506	2.0	Copper ring	8 x 12 x 1,5	
029	89006157	2.0	[Verschlußschraube f. Einschraubloch]	VSTI M 18x1,5 ED	
030	28605702	1.0	Hydraulic line left complete		o. Abb.
031	28605703	1.0	Hydraulic line right complete		o. Abb.
035	28602758	1.0	Closing plate complete		
040	28602523	6.0	Fillister head screw with Torx	Schlüsselweite T40 / M 8x20	
041	28602524	2.0	Fillister head screw with Torx	Schlüsselweite T40 / M 8x16	
045	29319505	4.0	Fillister head screw with Torx	SCHLÜSSELWEITE T40/M 8x35	
050	27702209	10.0	Guide plate	5 x 30 x 120	
055	28602261	2.0	Plastic strip	5 x 9 x 120	
060	27702210	6.0	Pressure plate rear	4 x 60 x 110	
065	26502205	6.0	Pressure plate lateral	4 x 60 x 95	
070	28602523	24.0	Fillister head screw with Torx	Schlüsselweite T40 / M 8x20	
075	28602519	1.0	Cutter long/4 x 121.5 x 1714	1.4034 (X46Cr13) GÜTE III C	Edelstahl
080	29717014	1.0	Dog	25 x 25 x 130	
085	87006333	2.0	Screw stopper	GPN 700 M 8	
090	86504135	1.0	Cylindrical pin	10m6x32	
095	86503689	4.0	Verbus-Tensilock screw galvanized	M 8 x 30	
100	28602520	1.0	Cutter right/ 4x 98 x 837	1.4034 (X46Cr13) GÜTE III C	Edelstahl
105	28602521	1.0	Cutter left/4 x 98 x 837	1.4034 (X46Cr13) GÜTE III C	Edelstahl
110	28605510	1.0	Side cylinder	70-48-40-31.2 HUB	
111	28605516	1.0	Side cylinder with end position damping	70-48-42-31.2 HUB	
112	87001448	1.0	Sealing set for hydraulic cylinder	n.Zg. 286-05.510	f. Zylinder 286 05 510



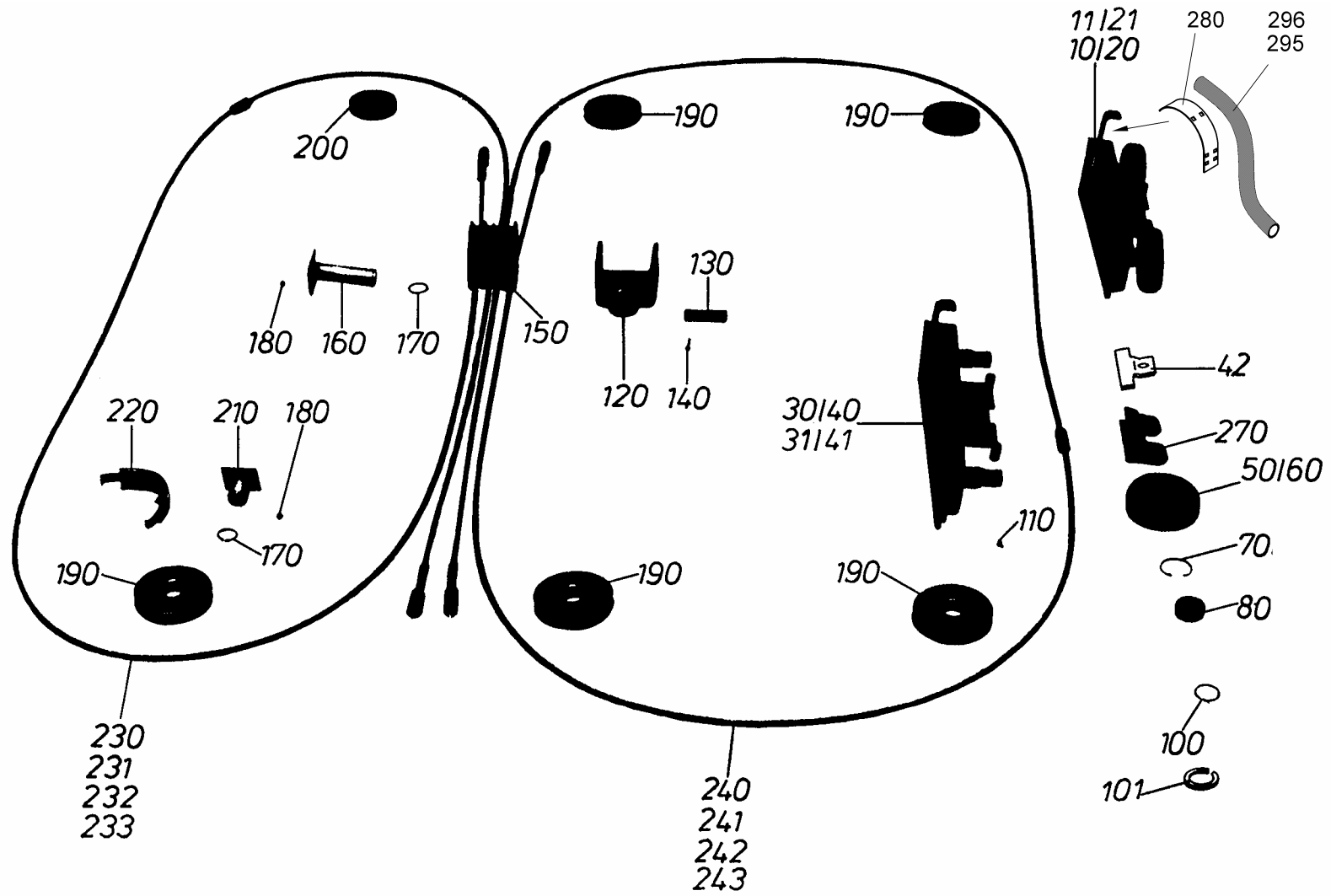
Cutting frame

Pos	Article. No.	Quant.	Designation	Size	Description
113	87010301	1.0	Seal set for hydraulic cylinder	n.Zg. 286-05.516	f. Zylinder 286 05 516
120	26505100	2.0	Bolt galvanized	DR 16 x 40	
121	86504226	2.0	Splint galvanized	4 x 20	
125	28602250	2.0	Cable guard galvanized	1,25 x 93 x 680	
130	86503020	10.0	Saucer-head screw DIN 603 galvanized	M 6 x 20	
131	86500562	10.0	Verbus-Tensilock nut galvanized	M 6 / BSK-NORM: 196.1	
135	86504069	2.0	Tightening sleeve	10 x 14	
136	86504071	2.0	Tightening sleeve	6 x 14	
140	28602764	1.0	Drive guard plate left inside complete		
145	28602765	1.0	Drive guard plate right inside complete		
150	28602770	1.0	Drive guard plate left outside complete		
155	28602771	1.0	Drive guard plate right outside complete		



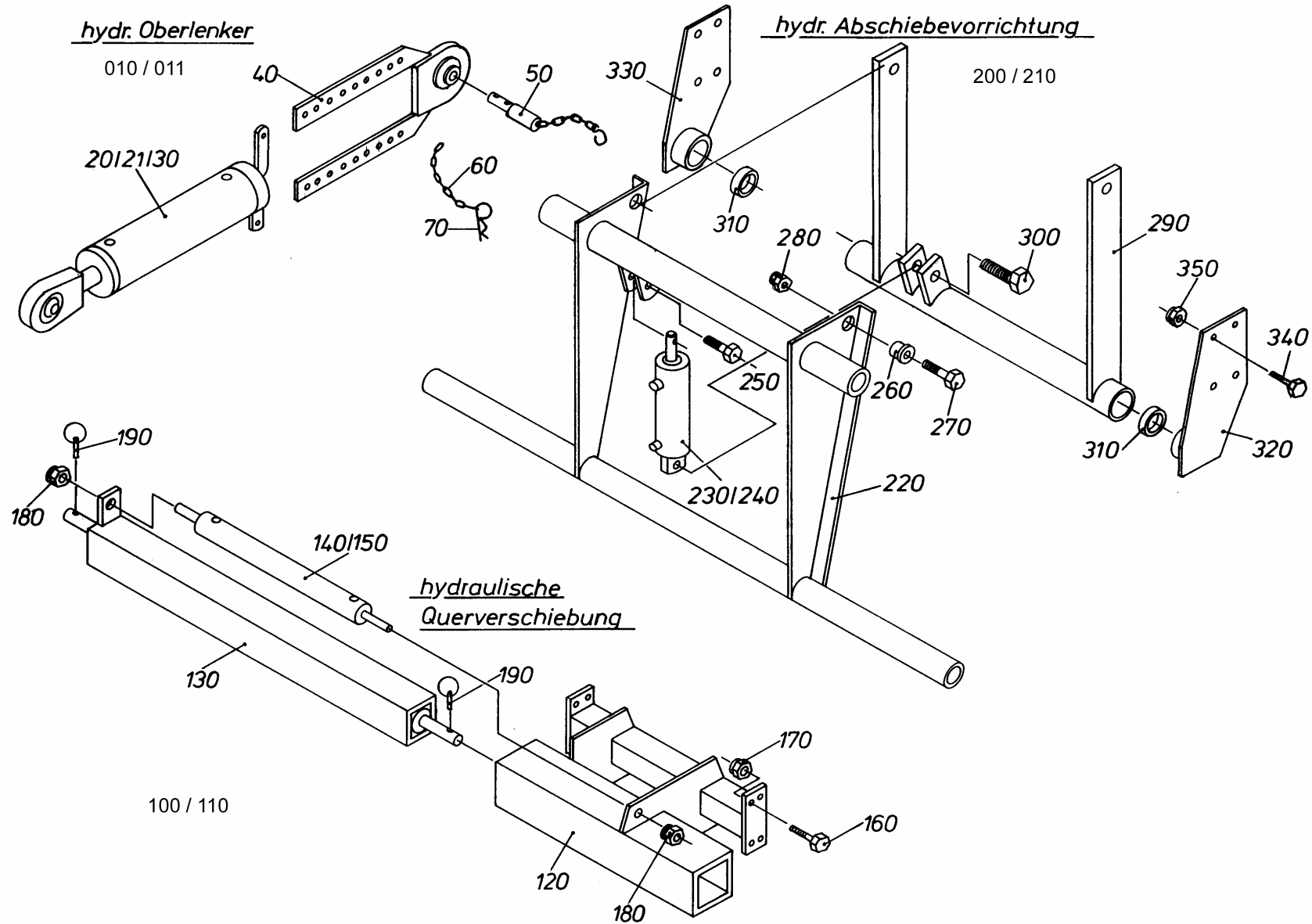
Feed and cable guide

Pos	Article. No.	Quant.	Designation	Size	Description
010	28602611	1.0	Travelling carriage right complete		
011	28602609	1.0	Travelling carriage SBV right complete		f. SBV
020	28602612	1.0	Travelling carriage left complete		
021	28602610	1.0	Travelling carriage SBV left complete		f. SBV
030	28602744	1.0	Roll holder right complete		
031	28602746	1.0	Roll holder SBV right complete		f. SBV
040	28602745	1.0	Roll holder left complete		
041	28602747	1.0	Roll holder SBV left		f. SBV
042	26522205	2.0	Idler guard	4 x 130 x 140	
050	28202614	#	Idler complete		
060	28202026	#	Idler	DR 145 x 30	ohne Lager
070	86504666	#	Snap ring	I 72 x 2,5	
080	86505589	#	Deep-grooved ball bearing single-row	6306-2RS1	
100	86504584	8.0	Snap ring	AS 35 x 2,5	
101	86504691	4.0	Spring ring	SW 37	
110	86506410	2.0	Lubricating nipple	M 10 x 1 H1 >GERADE<	ohne Abbildung
111	43313309	2.0	Lubricating tube	DR 8 x 1,5 x 75	ohne Abbildung
120	26521700	1.0	Cylinder fork complete		
130	26521102	1.0	Bolt	DR 25 x 90	
140	86504220	2.0	Splint galvanized	6,3 x 40	
150	26521500	1.0	Cable pulley	G 210 / 150 x 100	
160	26521702	1.0	Bolt complete		
170	86504568	1.0	Snap ring	A 40 x 1,75	
180	86506410	2.0	Lubricating nipple	M 10 x 1 H1 >GERADE<	ohne Abbildung
190	26521511	5.0	Cable pulley bottom	G 210 / 142 x 25	
200	26521502	1.0	Cable pulley	G 210 / 120 x 25	
210	26521701	6.0	Bolt complete		
211	86506410	7.0	Lubricating nipple	M 10 x 1 H1 >GERADE<	ohne Abbildung
220	26522204	2.0	Protective cap	1,5 x 60 x 286	
230	26421506	1.0	Feed cable short / HP1	DR 13 x 6060 -10 lg.	
231	26521509	1.0	Feed cable short// HP2	DR 13 x 6960 -10 lg.	
232	26621506	1.0	Feed cable short/ / HP3	DR 13 x 7560 -10 lg.	
233	26721500	1.0	Feed cable short/ HP 4	DR 13 x 8160 - 10 lg.	



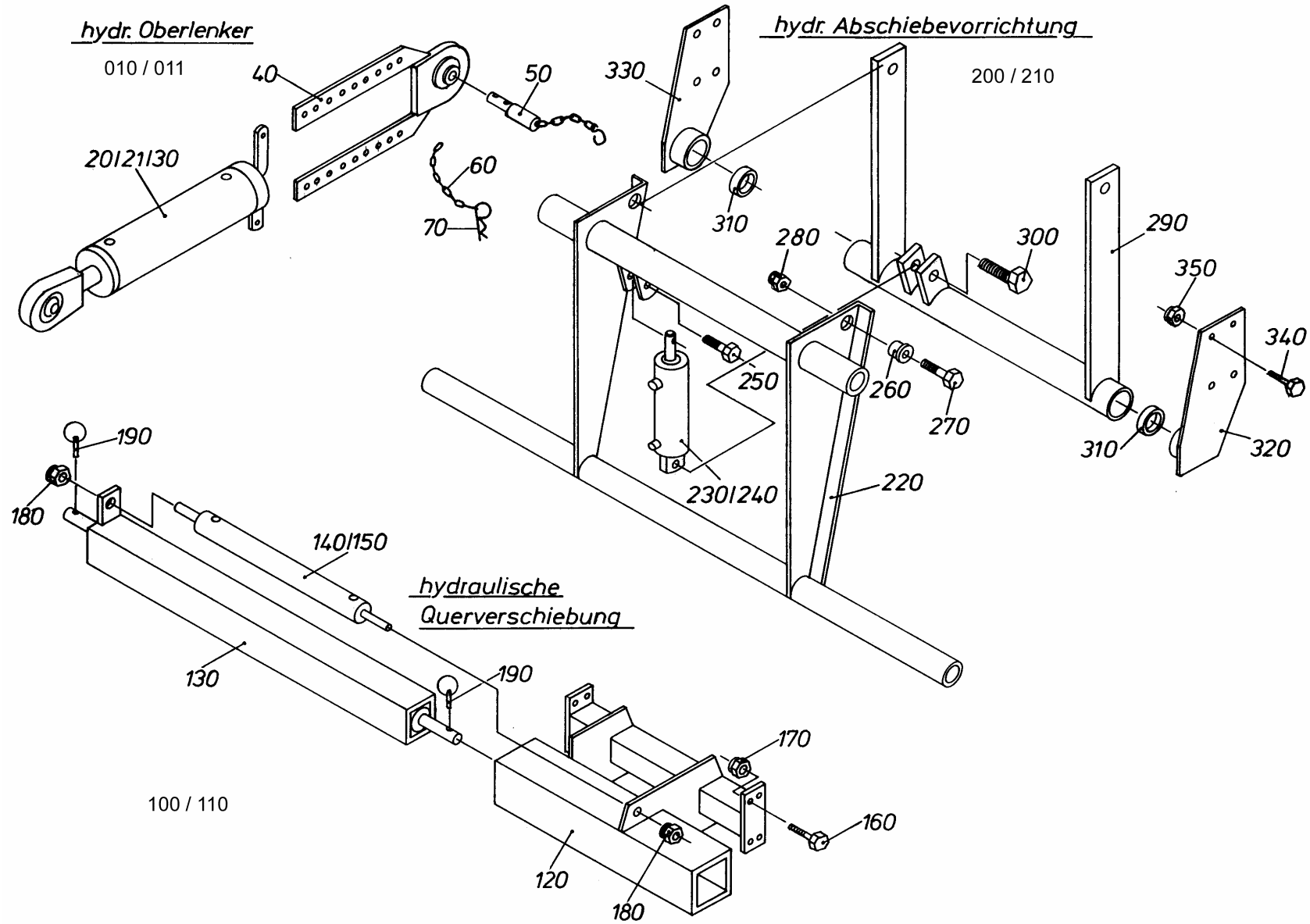
Feed and cable guide

Pos	Article. No.	Quant.	Designation	Size	Description
240	28121500	1.0	Feed cable long / HT 1	DR 13 x 8810	
241	28221501	1.0	Feed cable long / HT 2	DR 13 x 9710	
242	28321500	1.0	Feed cable long / HT 3	DR 13 x 10310	
243	28421500	1.0	Feed cable long / HT 4	DR 13 x 10910	
260	86500004	12.0	Hexagonal nut DIN 934	M 16	ohne Abbildung
270	28202715	2.0	Clamping strap complete		
271	86501379	4.0	Hexagon screw DIN 931	M 12 x 40	ohne Abbildung
272	86500661	4.0	Spring washer DIN 127	A 12	ohne Abbildung
273	86500006	4.0	Hexagonal nut DIN 934	M 12	ohne Abbildung
280	28602518	2.0	Hose guide spring 155	Bd 2 x 50 x 305	
295	28605512	1.0	Hose PU-4-K / black	DR 45	Länge angeben
296	28605513	1.0	Hose PU-4-K / black	DR 50	Länge angeben



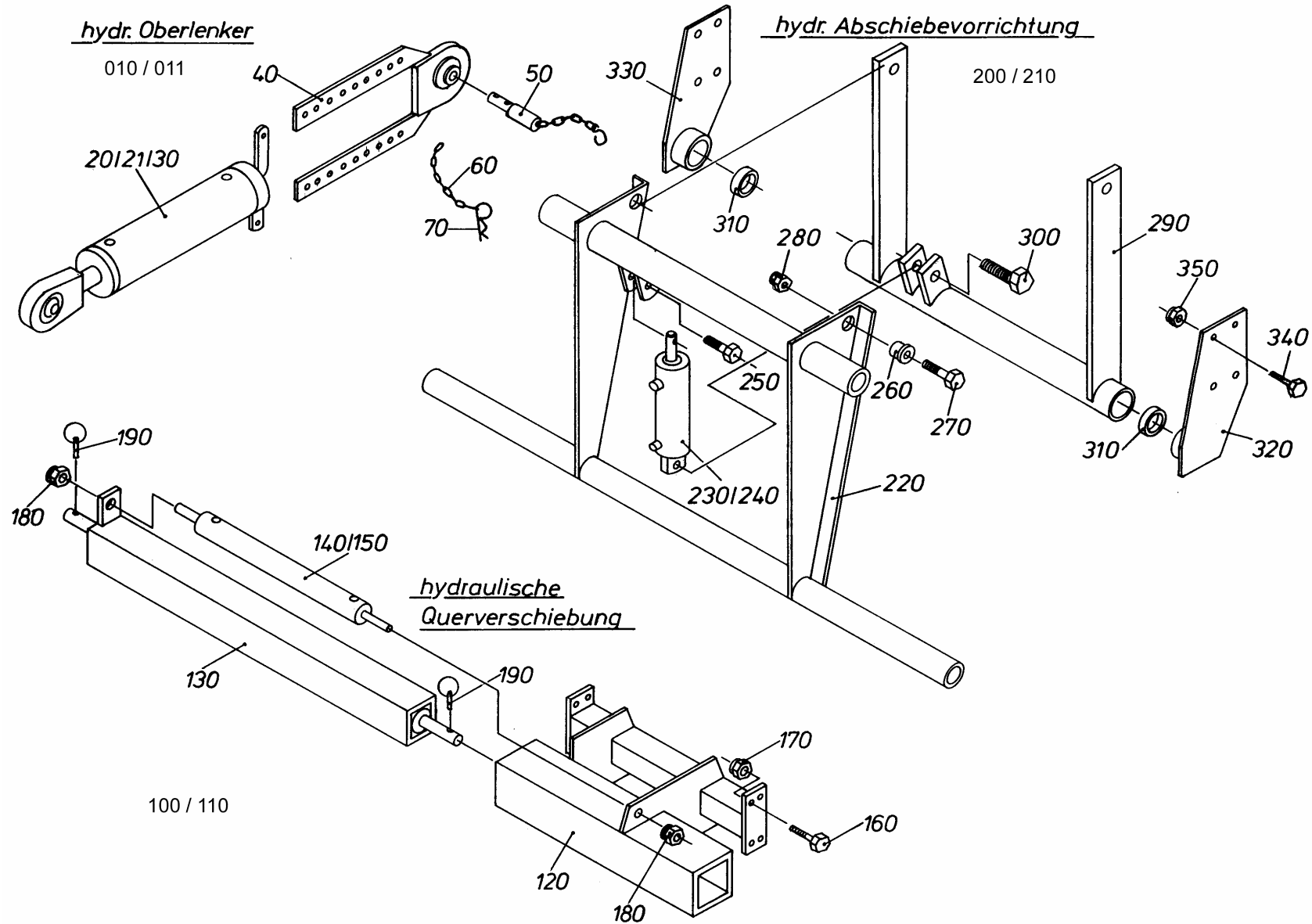
Lifting frame

Pos	Article. No.	Quant.	Designation	Size	Description
003	28603600	1.0	Lifting frame Cat. II		ohne Abbildung
004	28603601	1.0	Lifting frame Cat. III		ohne Abbildung
006	28633600	1.0	Lifting frame - cross pusher	F. QUERVERSCHIEBUNG	ohne Abbildung
011	28603702	1.0	Lifting frame complete Cat. II		
012	28603703	1.0	Lifting frame complete Cat. III		
014	28633701	1.0	Lifting frame complete	F. QUERVERSCHIEBUNG	
015	24101030	2.0	Support plate	120 x 15 x 182	
016	24101031	2.0	Support plate Cat. III	120 x 15 x 182	
020	24103736	2.0	Support base, complete		
030	86504029	2.0	Tightening sleeve	10 x 60	
040	24103737	2.0	Cotter bolt complete		
050	30003506	2.0	Pressure spring galvanized	1,8 x 18,7 x 45,5	
060	86504002	2.0	Tightening sleeve	5 x 30	
070	26501721	1.0	Supporting shaft Cat. II complete		
071	26501722	1.0	Support shaft Categ. 3 complete		
080	86504227	2.0	Clip splint	DR 10	
081	26501710	1.0	Check hook left complete		
082	26501711	1.0	Check hook right complete		
083	26501723	1.0	Check hook left complete Cat. III		
084	26501724	1.0	Check hook right complete CAT. III		
085	86501374	2.0	Hexagon screw DIN 933	M 12 x 35	
086	86500006	2.0	Hexagonal nut DIN 934	M 12	
087	26501500	2.0	Return spring	FEDERSTAHL DRAHT KL. B VZK.	
088	87006018	1.0	Polypropylene cable	DR 8 / METERWARE	ohne Abbildung
090	24101718	1.0	Bolt for upper link complete		
100	86504404	1.0	Wire pin 6, 3 DIN 11024 galvanized.	DR 4	
110	24803500	1.0	Hydraulic cylinder for lifting frame		
111	87001303	1.0	Seal set for lifting frame attachment	n.Zg. 248-03.500	ohne Abbildung
112	87000463	1.0	Straight screw-in connection	XGE 8-PL/M 16x1,5	ohne Abbildung
140	86501438	1.0	Hexagon screw DIN 933	M 16 x 70 LINKSGEWINDE	
150	86500010	1.0	Hexagonal nut DIN 934	M 16 (s.ART.-NR. 865 00 004)	
160	24104008	2.0	Diagonal tie	60 x 6 x 1110	
161	86501499	5.0	Hexagon screw DIN 931	M 12 x 30	ohne Abbildung



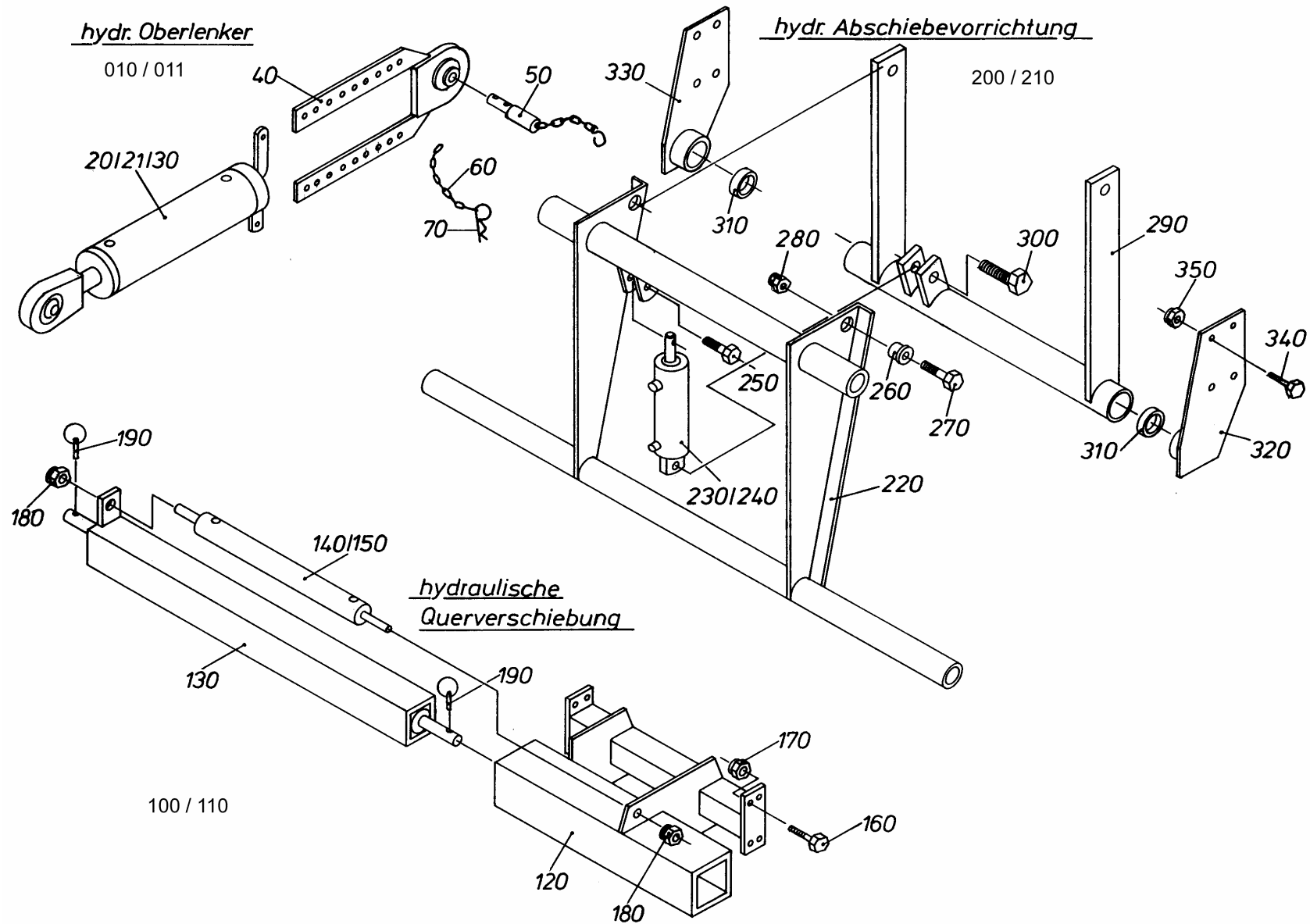
Lifting frame

Pos	Article. No.	Quant.	Designation	Size	Description
162	86500661	5.0	Spring washer DIN 127	A 12	ohne Abbildung
170	25731600	1.0	Guide tube right complete		
180	25731601	1.0	Guide tube left complete		
190	25731500	4.0	Plastic rail	7 x 35 x 750	
200	25331501	4.0	Plastic round plate	DR 40 x 6	
210	86503803	36.0	Pop blind rivet GTO 304534	DR 4,8 x 12,5	ohne Abbildung
211	86501420	16.0	Hexagon screw DIN 931	M 14 x 90	ohne Abbildung
212	86500306	16.0	Locknut	N M 14	ohne Abbildung
220	25731002	2.0	Adjusting rod	DR 16 x 700	
230	86500010	8.0	Hexagonal nut DIN 934	M 16 (s.ART.-NR. 865 00 004)	



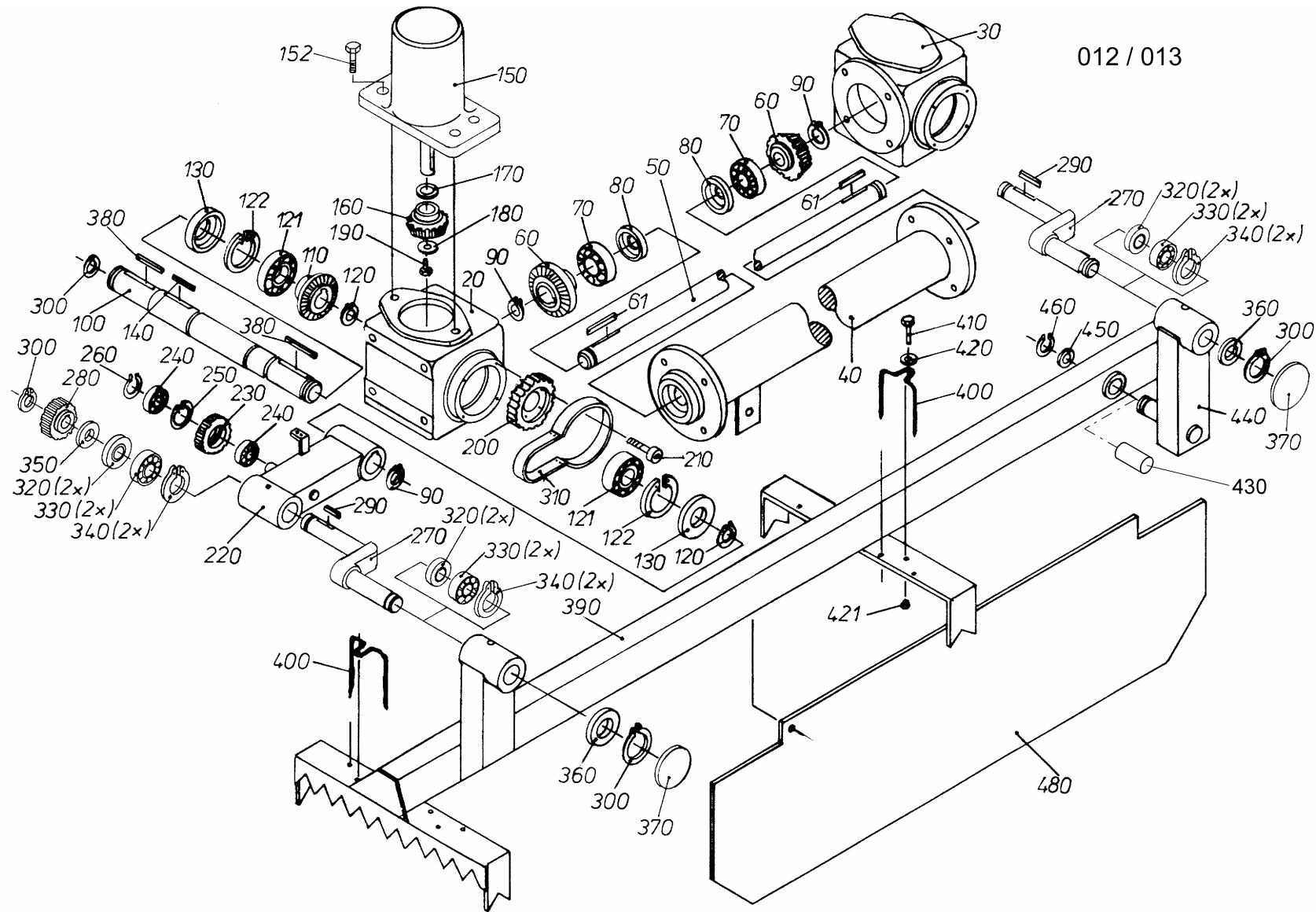
Hydraulic upper link, pusher, cross pusher

Pos	Article. No.	Quant.	Designation	Size	Description
010	26562606	1.0	Upper link hydr. Cat. II	(KATEG. II)	ohne Abbildung
011	26562605	1.0	Upper link hydr. Cat. I	(SONDERAUSRÜSTUNG KATEG. I)	ohne Abbildung
020	24162707	1.0	Hydr. upper link for. Cat. II complete.	HYDRAULIKZYLINDER	
021	24162704	1.0	Hydraulic cylinder for upper link complet	(SONDERAUSRÜSTUNG KATEG. I)	
030	87001333	1.0	Seal set for cylinder	n.Zg. 241-05.505	ohne Abbildung
040	24162706	1.0	Adjusting rail with joint head complete		
050	24101718	1.0	Bolt for upper link complete		
060	86504404	1.0	Wire pin 6, 3 DIN 11024 galvanized.	DR 4	
070	86507255	1.0	Guard chain complete 7 links	170 mm lg. (DURESTA-NR. 16)	
100	26568600	1.0	Cross pusher complete	BEI AUSFÜHRUNG OHNE HUBRAHMEN	ohne Abbildung
110	26568604	1.0	Cross pusher hydraulic	BEI AUSFÜHRUNG MIT HUBRAHMEN	ohne Abbildung
120	26568702	1.0	Cross pusher complete		
130	26568703	1.0	Tiller complete		
135	26533001	2.0	Supporting strap	90 x 8 x 160	
140	26568500	1.0	Lift cylinder double-acting	F. HYDR.-QUERVERSCHIEBUNG	
150	87001312	1.0	[Dichtungssatz f. Hubzyl.- Quer.]	n.Zg. 265-68.500	ohne Abbildung
160	86501418	8.0	Hexagon screw DIN 933	M 14 x 80	
170	86500306	8.0	Locknut	N M 14	
180	86500302	2.0	Locknut	N M 16	
190	86504227	2.0	Clip splint	DR 10	
200	26563609	1.0	Pusher hydraulic	(OHNE HUBRAHMEN)	ohne Abbildung
210	26563610	1.0	Pusher hydraulic	(MIT HUBRAHMEN)	ohne Abbildung
220	26563708	1.0	Push-off frame complete		
230	26563501	1.0	Hydraulic cylinder		
240	87001357	1.0	Sealing set for hydraulic cylinder	n.Zg. 265-63.501	ohne Abbildung
250	86501438	1.0	Hexagon screw DIN 933	M 16 x 70 LINKSGEWINDE	
260	40542101	2.0	Flange bushing galvanized	DR 30 x 18	
270	86501580	2.0	Hexagon screw DIN 931	M 16 x 50	
280	86500302	4.0	Locknut	N M 16	
290	26563709	1.0	Swivel frame complete		
300	86501433	1.0	Hexagon screw DIN 931	M 16 x 60	
310	26563309	2.0	Spacer ring	DR 60,3 x 3,65 x 12	bei ohne Hubrahmen
320	26563710	1.0	Bearing plate left complete		



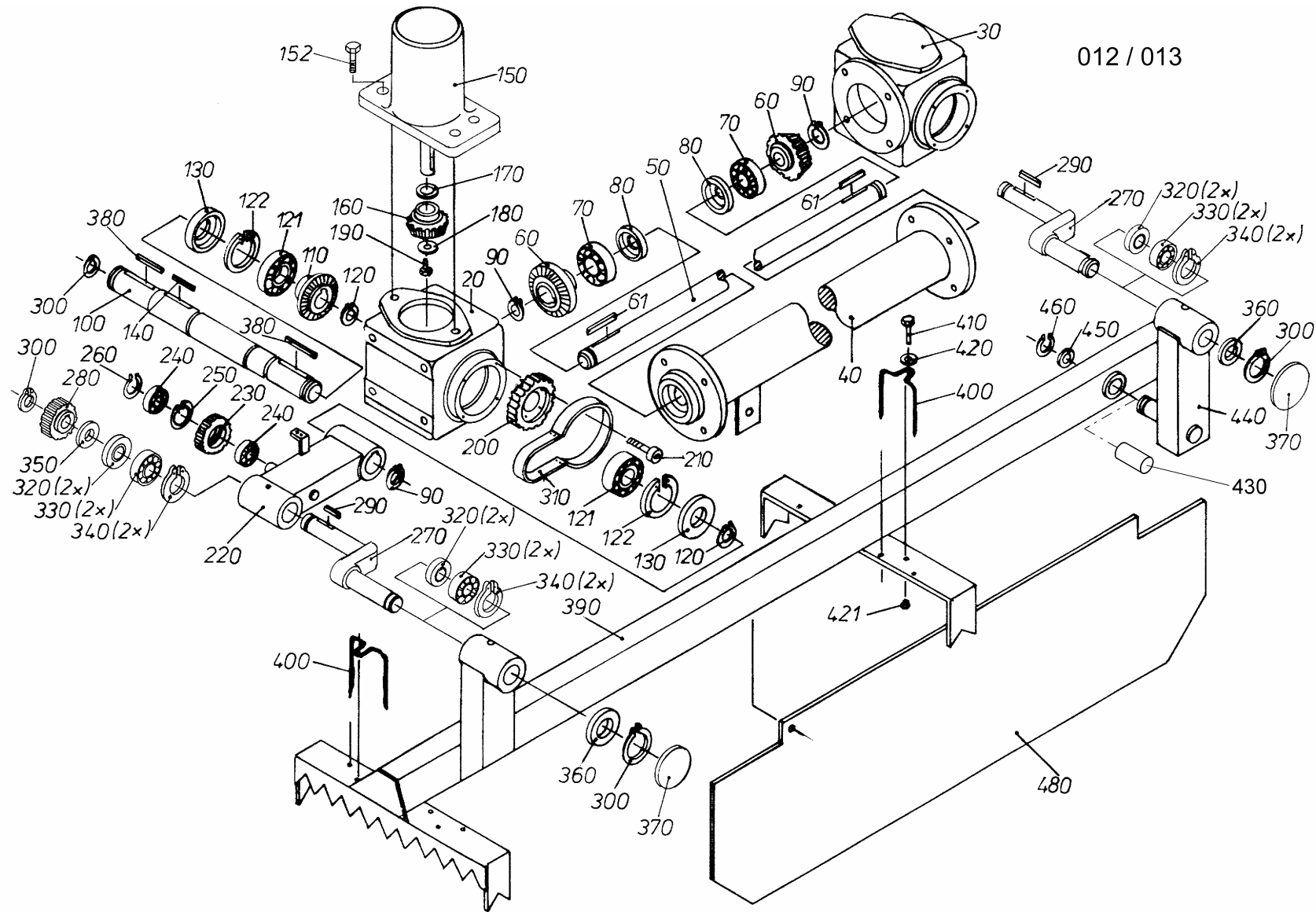
Hydraulic upper link, pusher, cross pusher

Pos	Article. No.	Quant.	Designation	Size	Description
330	26563711	1.0	Bearing plate right complete		
340	86501422	8.0	Hexagon screw DIN 931	M 14 x 100	
350	86500306	8.0	Locknut	N M 14	



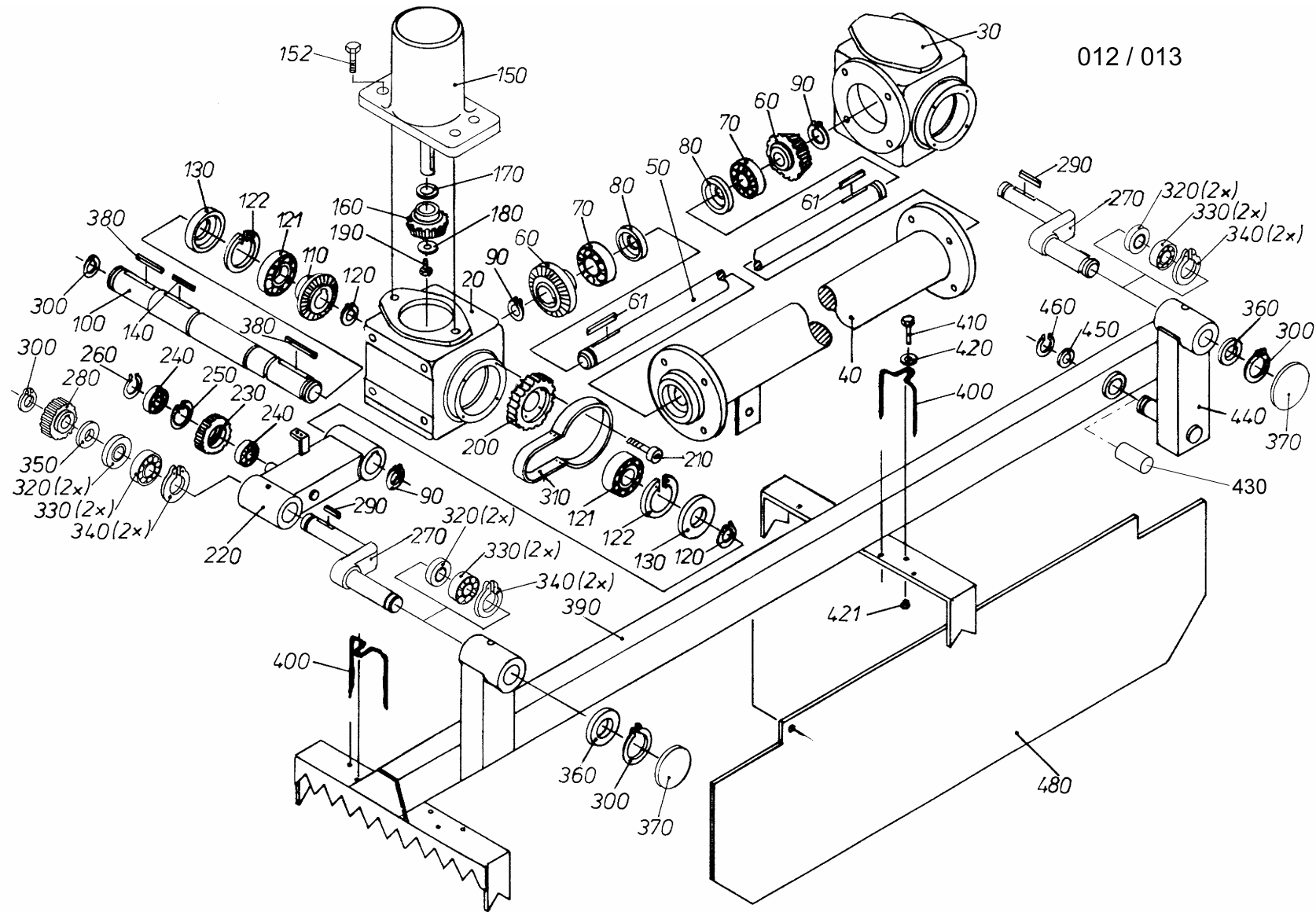
Drive silo block distributor

Pos	Article. No.	Quant.	Designation	Size	Description
012	28641601	1.0	Silo block distributor complete	FÜR HK 1 + 2	
013	28741601	1.0	Silo block distributor complete	FÜR HK 3 + 4	
015	26541624	1.0	Distributing unit complete		
020	26541400	1.0	Gear housing left	ROHTEIL-NR. 89000089	
030	26541401	1.0	Gear housing right	ROHTEIL-NR. 89000091	
031	86503203	2.0	Screw plug		ohne Abbildung
032	86505306	2.0	Copper ring	16 x 22 x 1,5	ohne Abbildung
040	26541706	1.0	Supporting pipe complete		
050	26541105	1.0	Intermediate shaft	DR 30 x 1161	
060	26541407	2.0	Bevel gear	M 5,46, Z 15	
061	86504951	2.0	[Passfeder DIN 6885 - A - 8 x 7 x 32]		
070	86505569	2.0	Deep-grooved ball bearing single-row	6206	
080	86505379	2.0	Radial shaft seal ring	BA SL 30 x 50 x 10	
090	86504554	2.0	Snap ring	A 30 x 1,5	
100	26541104	2.0	Gear shaft	DR 38 x 378	
110	26541406	2.0	Bevel gear	M 5,46, Z 15	
120	86504584	4.0	Snap ring	AS 35 x 2,5	
121	86505560	4.0	Deep-grooved ball bearing single-row	6307	
122	86504653	4.0	Snap ring	I 80 x 2,5	
130	86505354	4.0	Radial shaft seal ring/Basl 35x 80X13	S. ART.-NR. 86505355	
140	26541511	2.0	[Passfeder DIN 6885 - A - 10 x 8 x 40]		
150	87000043	1.0	Hydraulic motor / 151-6017	OMRA 315	
151	87001325	1.0	Seal set for hydraulic motor	N.NR. 87000004	ohne Abbildung
152	86503569	4.0	Verbus-Tensilock screw	M 12 x 40	
153	86500992	2.0	Washer	13	
154	86504951	1.0	[Passfeder DIN 6885 - A - 8 x 7 x 32]		
160	26541408	1.0	Bevel gear	M 5,46, Z 15	
170	26541229	1.0	Stop ring	DR 70 x 5	
180	86500851	1.0	Washer	R 9	
190	86501317	1.0	Hexagon screw DIN 933	M 8 x 16	
200	26541006	4.0	Toothed gear	DR 142 x 26	
210	86502404	16.0	Cheese-head screw DIN 912	M 8 x 20	
211	86500651	16.0	Spring washer DIN 127	A 8	



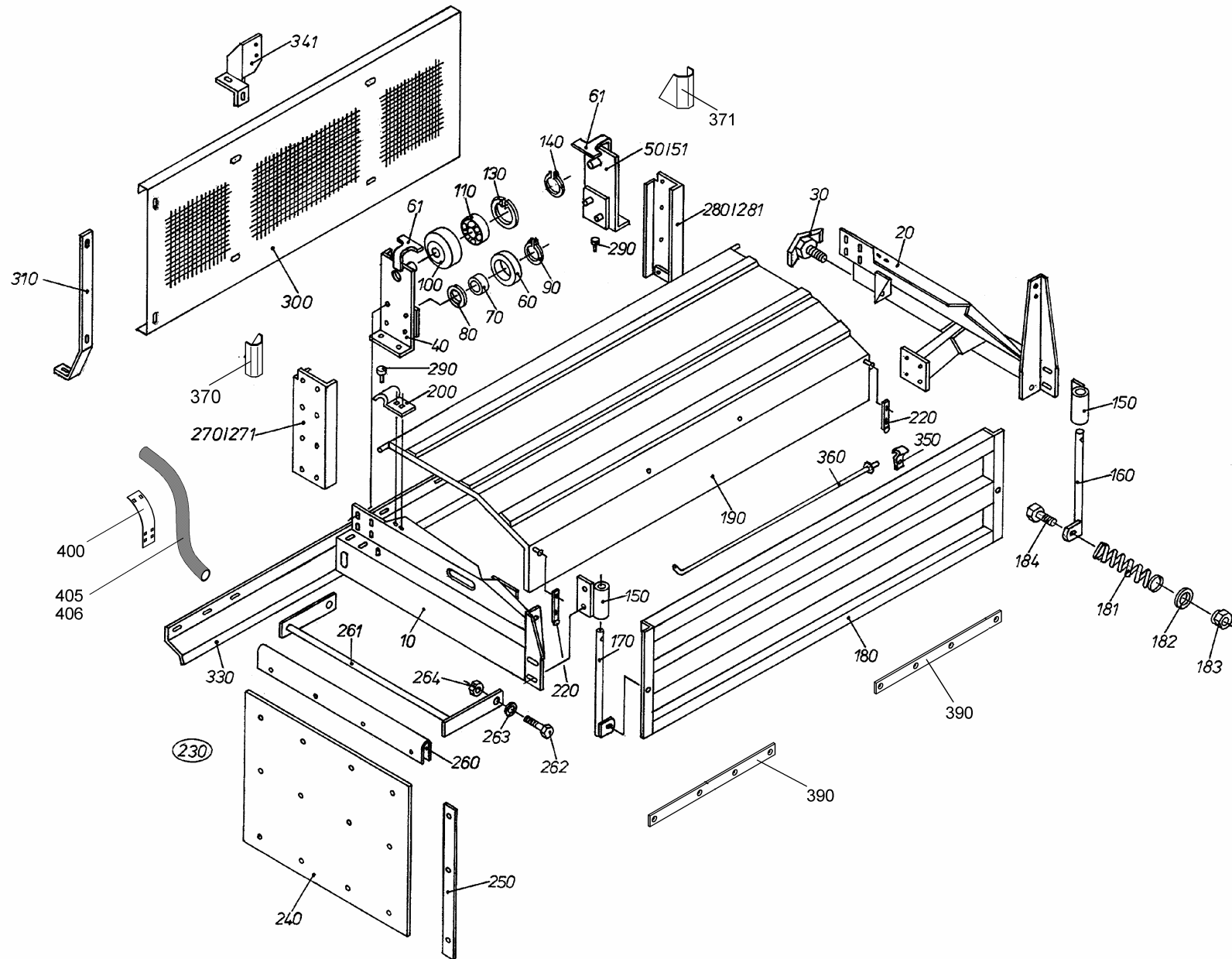
Drive silo block distributor

Pos	Article. No.	Quant.	Designation	Size	Description
220	26541734	4.0	Crank support complete		
230	26541005	4.0	Intermediate gear	DR 75 x 29	
240	86505602	8.0	Deep-grooved ball bearing single-row	6004-2Z	
250	86504658	4.0	Snap ring	I 42 x 1,75	
260	86504586	4.0	Snap ring	A 20 x 1,2	
270	26541041	4.0	Crank	DR 40 x 242	
280	26541004	4.0	Crank wheel	DR 75 x 33	
290	86504951	4.0	[Passfeder DIN 6885 - A - 8 x 7 x 32]		
300	86504564	4.0	Snap ring	AS 30 x 2	
305	86506405	7.0	Lubricating nipple	M 8 x 1 H1 >GERADE<	ohne Abbildung
310	26541201	4.0	Safety ring	3 x 40 x 708	
311	86501516	16.0	Hexagon screw DIN 931	M 8 x 12	ohne Abbildung
312	86500651	16.0	Spring washer DIN 127	A 8	
320	86505391	14.0	SKF sealing disc Z 006		
330	86505707	14.0	Deep-grooved ball bearing single-row	6006 Z	
340	86504661	14.0	Snap ring	I 55 x 2	
350	86504809	4.0	Shim ring DIN 988	PS 30 x 42 x 2	
360	86504858	4.0	Support disc DIN 988	SS 30 x 42 x 2,5	
370	86506308	4.0	Closing disc	DR 55	
380	86505000	4.0	[Passfeder DIN 6885 - A - 8 x 7 x 70]		
390	26541731	2.0	Distributing comb complete		
391	26541200	14.0	Comb	5 x 88 x 462	ohne Abbildung
400	26541500	28.0	Double tine	SORTE B	
410	86501319	28.0	Hexagon screw DIN 933	M 8 x 25	
420	86500934	28.0	Washer DIN 125-A 8.4		
421	86500303	28.0	Locknut	N M 8	
430	86506001	2.0	DU bushing	DR 25 x 28 x 50	
440	26541733	2.0	Connecting member complete		
450	86504851	2.0	Support disc DIN 988	SS 25 x 35 x 2	
460	86504562	2.0	Circlip (see 86504596)	AS 25 x 2	
470	86506401	2.0	Lubricating nipple	M 6 x 1 H1 >GERADE<	ohne Abbildung
480	26541202	1.0	Divider	4 x 278 x 1250	
481	86500651	3.0	Spring washer DIN 127	A 8	



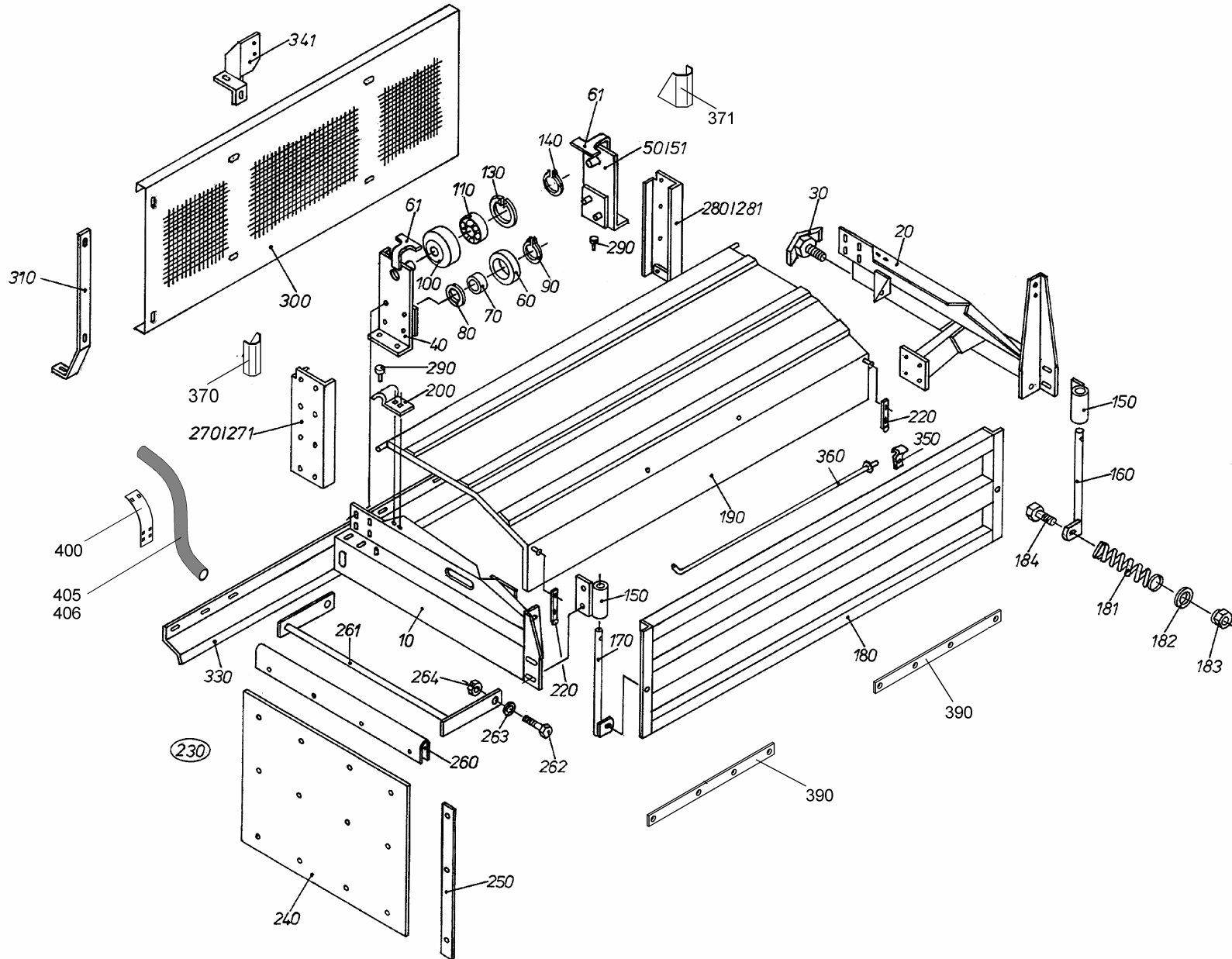
Drive silo block distributor

Pos	Article. No.	Quant.	Designation	Size	Description
482	86501319	3.0	Hexagon screw DIN 933	M 8 x 25	
483	86500024	3.0	Hexagonal nut DIN 934	M 8	



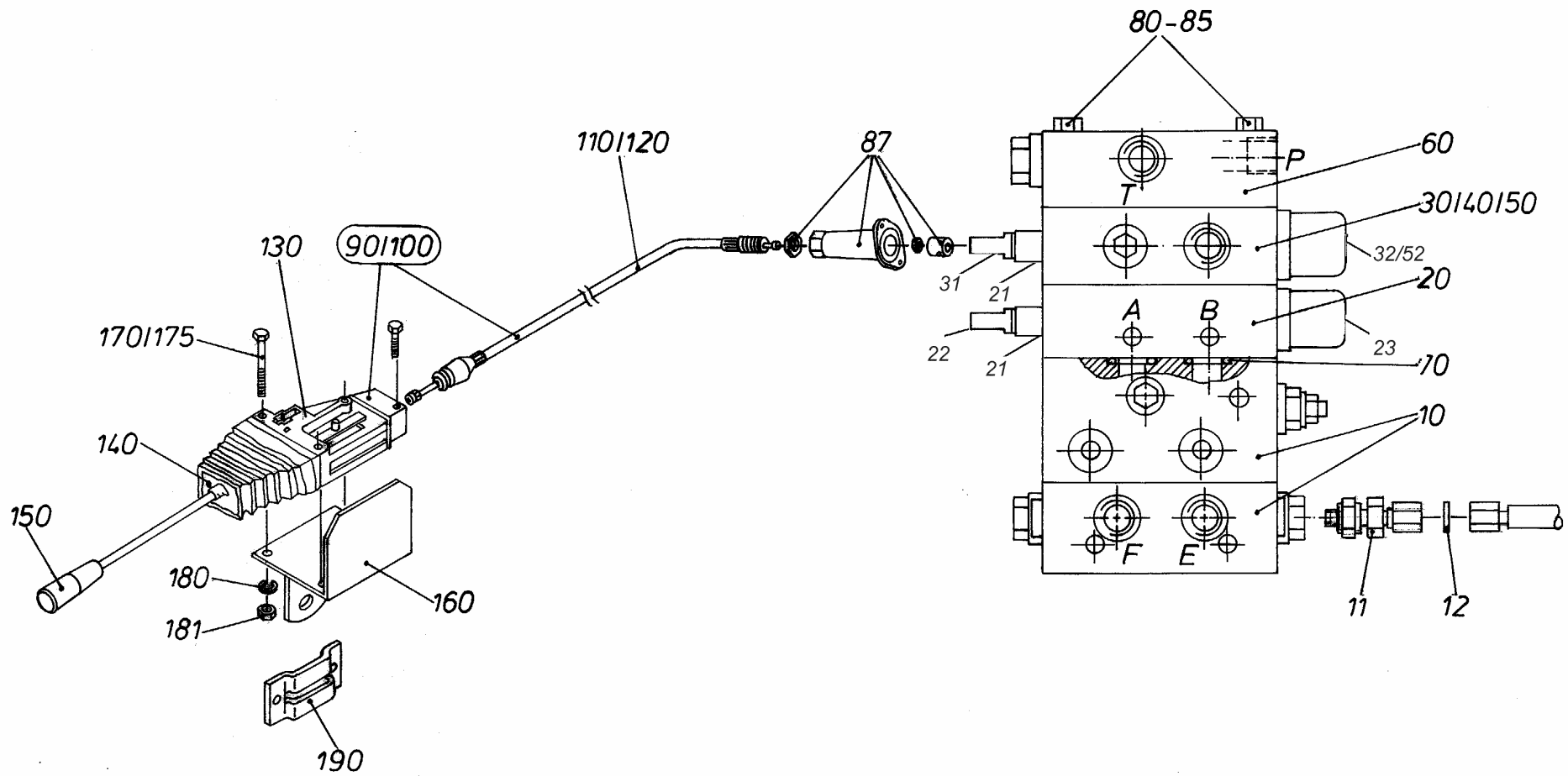
Frame and cladding SBV

Pos	Article. No.	Quant.	Designation	Size	Description
010	28641704	1.0	Side panel right complete		
020	28641703	1.0	Side panel left complete		
030	26541710	2.0	Set screw complete		
040	28241605	1.0	Roll holder left complete		
041	28241706	1.0	Roll holder left complete		
050	28241606	1.0	Roll holder right complete		
051	28241707	1.0	Roll holder right complete		
060	26541628	4.0	Idler complete		
061	28202217	1.0	Idler guard	2 x 126 x 171	
070	86506024	4.0	DU bushing	DR 30 x 34 x 15	
080	86504762	4.0	Shim ring DIN 988	PS 30 x 42 x 1	
090	86504554	4.0	Snap ring	A 30 x 1,5	
100	28202026	2.0	Idler	DR 145 x 30	
110	86505589	2.0	Deep-grooved ball bearing single-row	6306-2RS1	
130	86504666	2.0	Snap ring	I 72 x 2,5	
140	86504554	2.0	Snap ring	A 30 x 1,5	
150	26541711	2.0	Guide tube complete		
160	26541714	1.0	Connecting pipe right complete		
170	26541715	1.0	Connecting pipe left complete		
180	26541716	1.0	End flap complete		
181	26541509	2.0	Pressure spring	3,2 x 16 x 59 / DRAHTSORTE B	
182	86501108	2.0	Washer DIN 125-A 13 galvanized		
183	86500301	2.0	Locknut	N M 12	
184	86502049	2.0	Hexagon screw DIN 931 galvanized	M 12 x 70	
190	26541717	1.0	Covering hood complete		
200	47514004	2.0	Clamp	40 x 5 x 73	
220	87006301	2.0	Rubber loop for covering hood	(VW-RÜCKSITZ)	
230	26541619	2.0	Rubber flap complete		
240	26541507	2.0	Rubber flap	4 dick x 620 x 730	
250	26541508	16.0	Spring leaf	1 x 50 x 600	
260	26541223	2.0	Connecting plate	1,25 x 128 x 725	
261	26541730	2.0	Hinged strap complete		
262	86501346	4.0	Hexagon screw DIN 933	M 10 x 25	



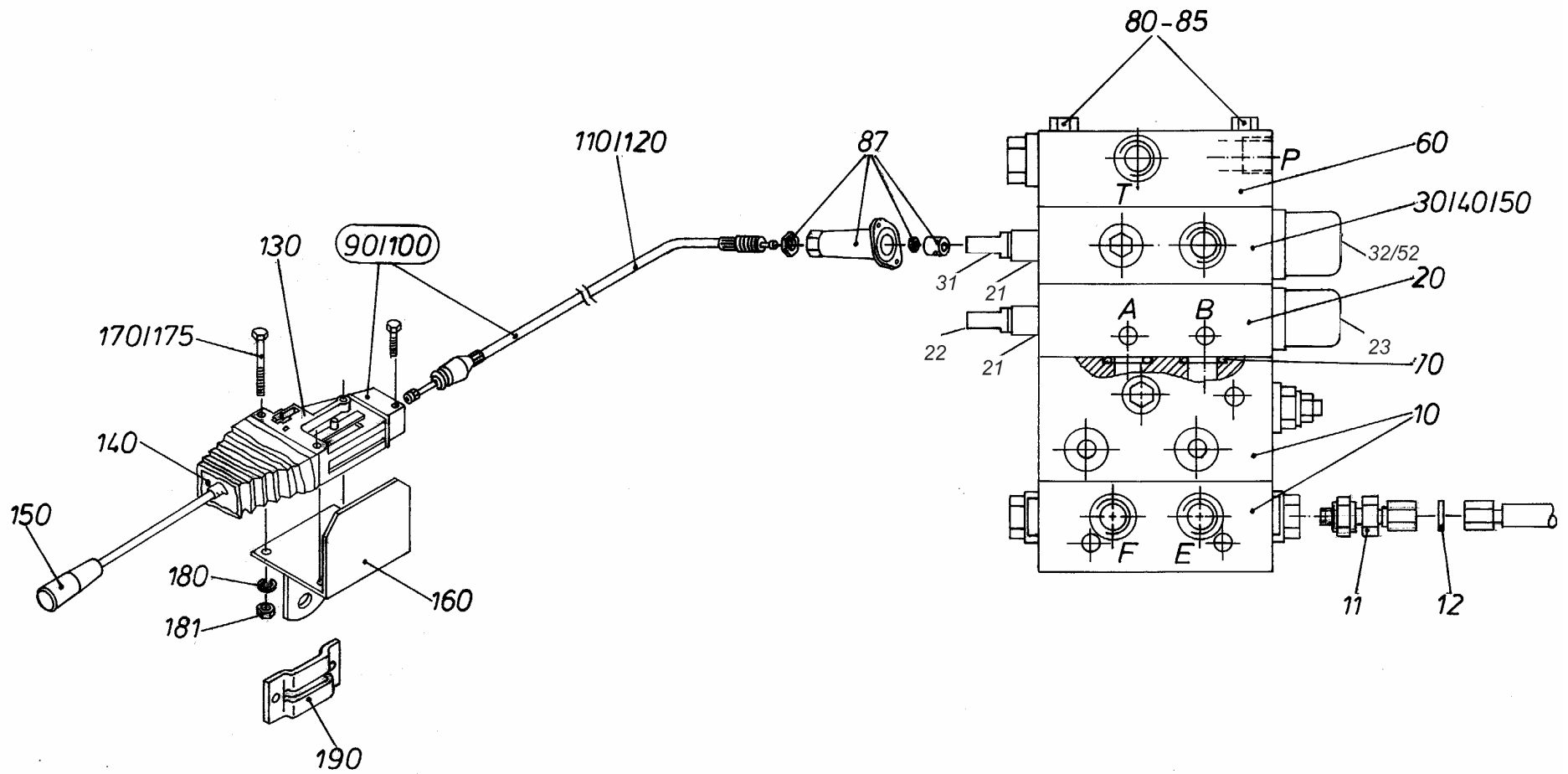
Frame and cladding SBV

Pos	Article. No.	Quant.	Designation	Size	Description
263	86505261	6.0	Disk spring	28 x 10,2 x 1,25	
264	86500304	4.0	Locknut	N M 10	
270	26541728	1.0	Intermediate plate left complete		
271	28641700	1.0	Intermediate plate left complete		
280	26541729	1.0	Intermediate plate right complete		
281	28641701	1.0	Intermediate plate right complete		
290	25304502	2.0	Bump stop (rubber)	M 8x21 / CA. 80 SHORE	
300	28741700	1.0	Rear panel top complete		HX 3 - 4
310	28741001	1.0	Support	30 x 6 x 496	HX 3 - 4
330	28241211	1.0	Tine cover plate	3 x 125 x 1620	
341	28641203	1.0	Valve actuator mount	5 x 133 x 140	HX1 - HX4
350	24001506	1.0	Flat spring		
360	26541720	1.0	Support complete		
370	26541233	1.0	Guide strut extension left	5 x 130 x 155	bis Bj. 95
370	28241208	1.0	Guide strut extension left	5 x 130 x 185	ab Bj. 95
371	26541234	1.0	Guide strut extension right	5 x 130 x 155	bis Bj. 95
371	28241207	1.0	Guide strut extension right	5 x 130 x 185	ab Bj. 95
390	28641500	2.0	Stop (plastic)		
400	28641502	1.0	Hose guide spring 60^	Bd 2 x 50 x 185	
405	28605512	1.0	Hose PU-4-K / black	DR 45	
406	28605513	1.0	Hose PU-4-K / black	DR 50	



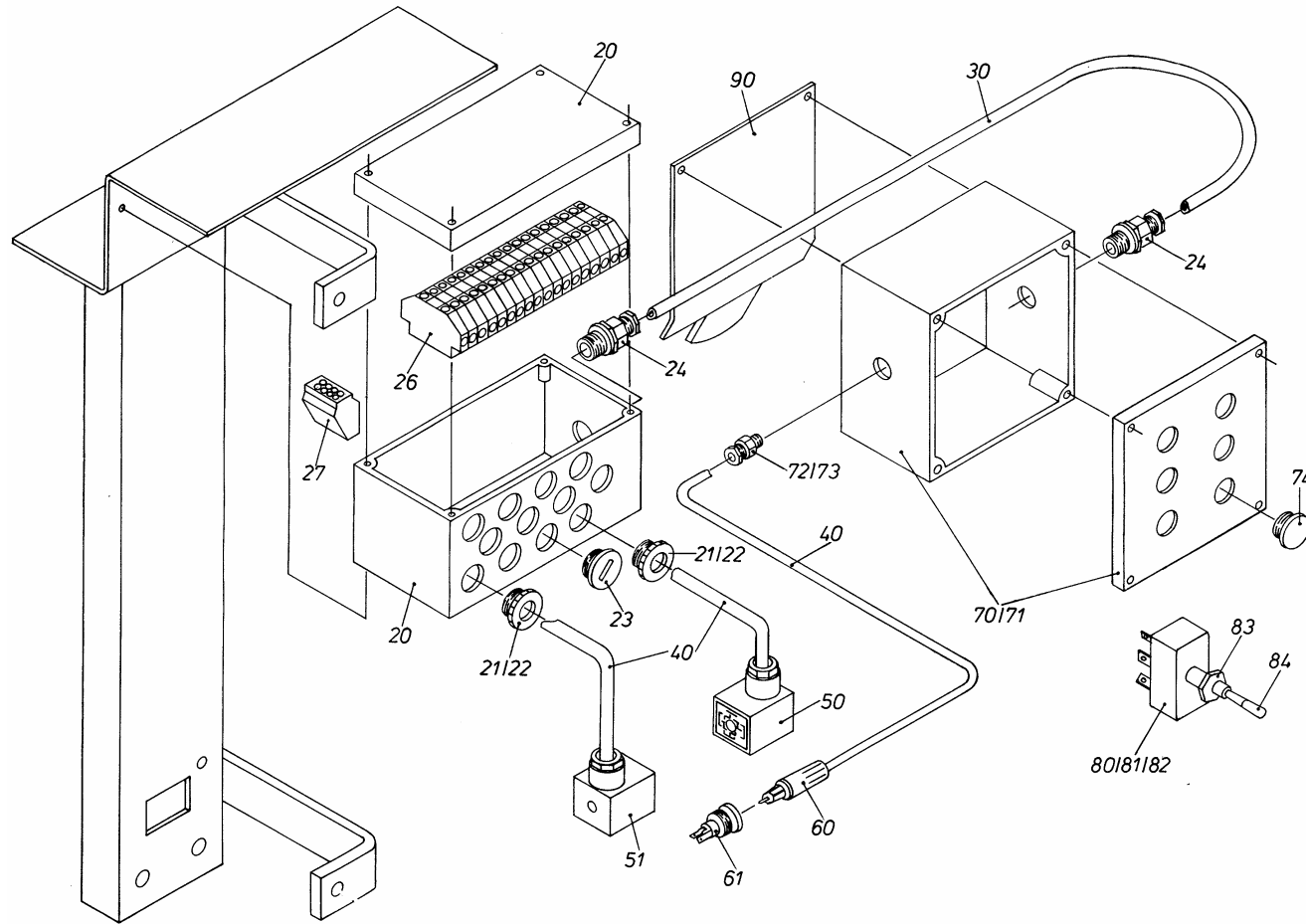
Remote control mechanical

Pos	Article. No.	Quant.	Designation	Size	Description
010	28605507	1.0	Valve actuator with pump deact.	W 3071-10-S / HC-KURZHUB	
011	87000332	2.0	Non-return valve galvanized	RHZ 8 - PLM ed 3 bar	
012	24305510	2.0	Filter disc (wire meshing)	DR 0,16 MW=0,27 mm	
020	28652500	1.0	Control unit for cutting frame	W 2291-350-S	
021	86507520	1.0	Quad ring / B+S/THF	DR 16x2,62 / MINDESTQUAL.	f. Steuerkolben / o. Abb.
022	87001783	1.0	Control piston W 2291-182-4	F. STEUERVERTIL 297-05.515	
023	87008709	1.0	Catch mechanism W 2291-909-Set	F. STEUEREINHEIT W 2291-420-S	
030	28652502	#	Control valve single-acting	W 2291-150-S-EW	
031	87001784	2.0	Control piston W 2291-102-4A	F. STEUERVERTIL 286-52.503	
032	87008708	2.0	Catch mechanism W 2291-129-Set	F. STEUEREINHEIT W 2291-150-S	
040	28652503	#	Control valve double-acting	W 2291-150-S-DW	
050	28652504	1.0	Control valve locked	W 2291-500-S	
052	87008710	1.0	Catch mechanism W 2291-519-Set	F. STEUEREINHEIT W 2291-500-S	
060	28652501	1.0	Pump input plate	W 2291-200-S	
070	86507518	#	O-ring seal	12 x 2	
071	86507519	#	O-ring seal	6 x 2	
080	86501335	4.0	Hexagon screw DIN 931	M 8 x 100	2 Funktionen
081	86501339	4.0	Hexagon screw DIN 931	M 8 x 140	3 Funktionen
082	86503771	4.0	Threaded rod	M 8 x 190	3 Funktionen
083	86503761	4.0	Threaded rod	M 8 x 235	4 Funktionen
084	86503767	4.0	Threaded rod	M 8 x 275	6 Funktionen
085	86503768	4.0	Threaded rod	M 8 x 320	6 Funktionen
086	86500024	#	Hexagonal nut DIN 934	M 8	ohne Abbildung
087	87006517	#	Valve adapter complete	F. WOLLSCHLÄGER	
090	87006518	#	Remote control complete RVC L=2500	M.BETÄTIGUNGSELEMENT NR.206370	
100	87006521	#	Remote control complete RVC L=4000	M.BETÄTIGUNGSELEMENT NR.206370	für MB-Trac
110	87006511	#	Remote control cable RVC L=2500	INNEN- U. AUßENTEIL	
120	87006527	#	Remote control cable RVC L=4000	INNEN- U. AUßENTEIL	für MB-Trac
130	87006512	#	Control element	RVC-SINGLE / 275 MM	
140	87006513	#	Expansion bellows	F. BETÄTIGUNGSELEMENT 206370	
150	87006531	#	Grip cap	F. BETÄTIGUNGSELEMENT 206370	
160	26552701	1.0	Control system mount complete galvanized		
170	86501326	3.0	Hexagon screw DIN 931	M 8 x 55	1 Funktion



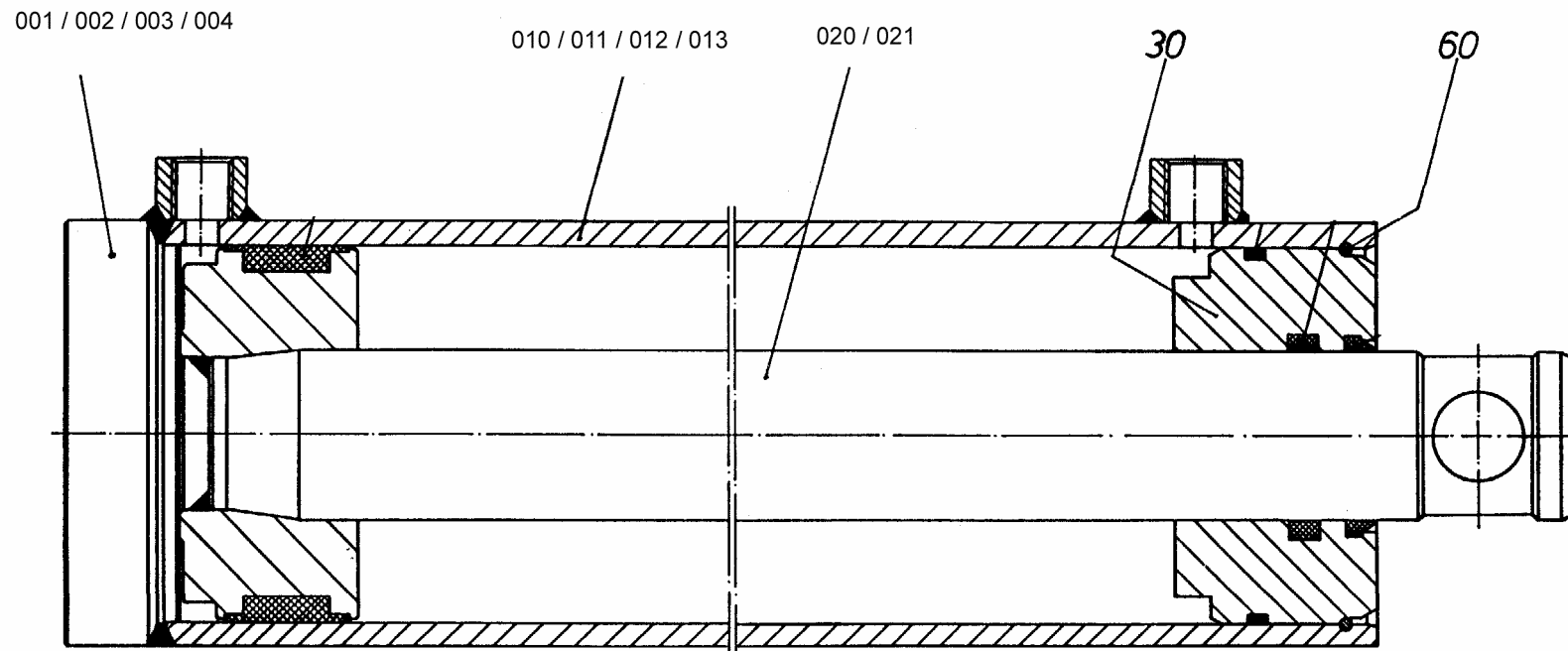
Remote control mechanical

Pos	Article. No.	Quant.	Designation	Size	Description
171	86501335	3.0	Hexagon screw DIN 931	M 8 x 100	2 Funktionen
172	86501339	3.0	Hexagon screw DIN 931	M 8 x 140	3 Funktionen
173	86501314	4.0	Hexagon screw DIN 931	M 8 x 190	4 Funktionen
174	86503766	3.0	Threaded rod	M 8 x 230	5 Funktionen
175	86503767	3.0	Threaded rod	M 8 x 275	6 Funktionen
180	86500753	3.0	Spring washer DIN 127 galvanized	A 8	
181	86500203	3.0	Hexagonal nut DIN 934 galvanized	M 8	
190	87001505	1.0	Sibra insertion bag	50 x 5 x 185	



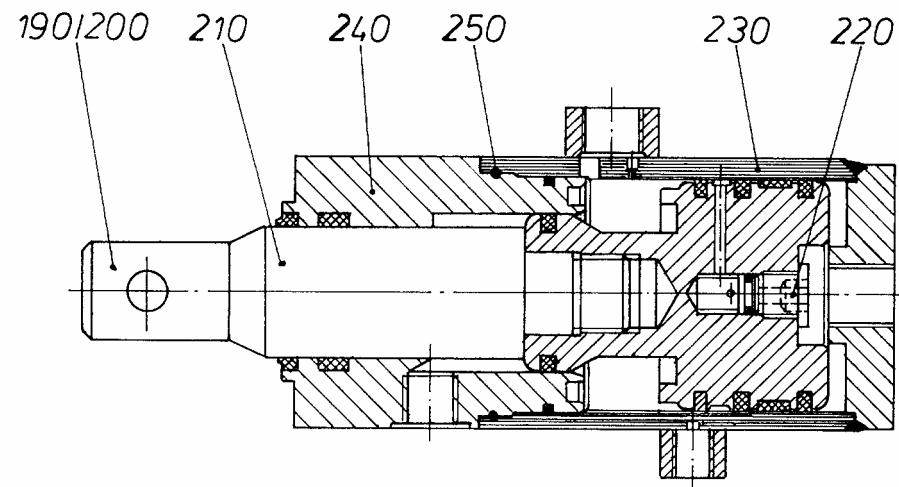
Remote control electrohydraulic

Pos	Article. No.	Quant.	Designation	Size	Description
020	43370501	1.0	Housing complete CT-642	3640000000	
021	87006746	#	Twisted nipple PG 9 / closed		
022	87008552	13.0	Counter nut PG 9	(NR. 2466365 / FA. STEIN)	
023	87006747	#	Plug PG 9	NR. 2456501 / FA. STEIN	
024	87006748	2.0	Cone screw connection PG 16	(NR. 122134 / FA. STEIN)	
024	87006760	2.0	Counter nut PG 16	(NR. 2456541 / FA. STEIN)	
025	26570002	1.0	Supporting rail Al	WAGO-NR. 210-154	ohne Abbildung
026	87006749	1.0	Terminal strip	NR. 260-162 / FA. WAGO	
027	87006762	2.0	Connecting socket clamp	(NR. 273-103 / FA. WAGO)	
030	87006756	1.0	Slöz-J-Flex control line	12 x 1,00 mm ² / 3000 mm	
040	87006723	#	Connecting cable 2x1mm ² black	PVC-SCHLAUCHLEITUNG	Länge angeben
050	87006758	#	Equipment socket grey (A)	ISO 4400 / GDM 2009 GR	
051	87006759	#	Equipment socket black (B)	ISO 4400 / GDM 2009 SW	
060	87006709	1.0	Plug similar to DIN 72591	BOSCH.-NR.:0352321001	
061	87006710	1.0	Built-in socket for plug	ÄHNLICH BOSCH-NR. 0352222008	
070	26570619	1.0	Switch box complete		
071	26570506	1.0	Housing complete CT-681	2680000000	
072	87006755	1.0	Cone screw connection PG 11	HKL, TYP 2235/11	
073	87006761	1.0	Counter nut PG 11		
074	87008503	5.0	Plug PG 7		
075	87008504	5.0	Counter nut PG 7		
080	87008516	1.0	Toggle switch - 3P T-O T	3638 NF / 2 x 1052	ohne Abbildung eins. Rastend / f. Schneidrahmen
081	87008515	#	Toggle switch - 3P T-O T	3637 NF / 2 x 1052	nicht rastend / Oberl., Hubge., Querver., Absch.
082	87008501	1.0	Toggle switch - 3P R-O-R	3639 NF / 2 x 1052	beids.rastend / SBV
083	87008549	#	Fastening nut	F. KIPPSCHALTER	
084	87008505	4.0	End cap SR 1500 black	REF.-NR. 10565, FORM-NR. 0094	
090	26570700	1.0	Switch box mount complete		



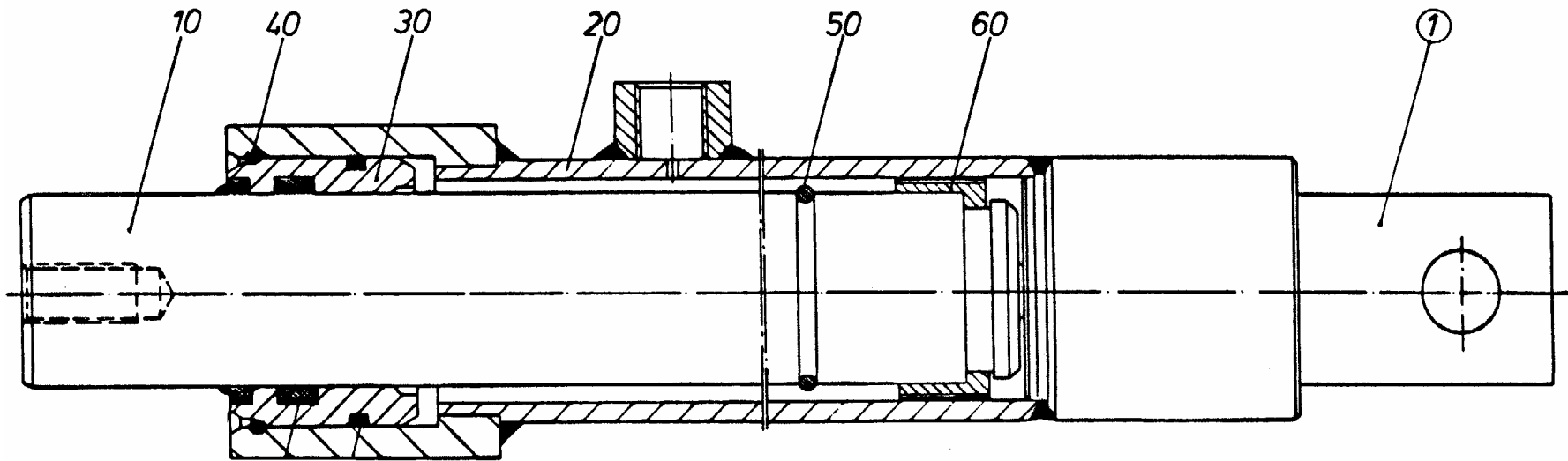
Feed cylinder HX 1-4

Pos	Article. No.	Quant.	Designation	Size	Description
001	26405500	1.0	Hydraulic cylinder / HP1		
002	26505500	1.0	Hydraulic cylinder / HP2		
003	26605501	1.0	Hydraulic cylinder / HP3	DW-ZYL. 90/50-1069- 910	
004	26705501	1.0	Hydraulic cylinder / HP4	DW-ZYL. 90/50-1169-1010	
005	87001313	1.0	Sealing set for hydraulic cylinder	n.Zg. 264/265/266/267-05.500	ohne Abbildung
006	87001469	1.0	Sealing set for hydraulic cylinder	n.Zg. 266/267-05.501	ohne Abbildung
010	88001837	1.0	Cylinder pipe complete for 264-05.500		
011	88001838	1.0	Cylinder pipe complete for 265-05.500		
012	88001839	1.0	Cylinder pipe complete for 266-05.500		
013	88001840	1.0	Cylinder pipe complete for 267-05.500		
020	88001841	1.0	Piston rod complete 264-05.500		
021	88001842	1.0	Piston rod complete 265-05.500		
030	88001845	1.0	Guide bushing for 264-05.500		
030	88002415	1.0	Guide nut double-acting 90/45 Rd. 102x55	Strautmann-Nr. 00040018	
060	88001846	1.0	Spring ring for 264-05.500	RB 95	



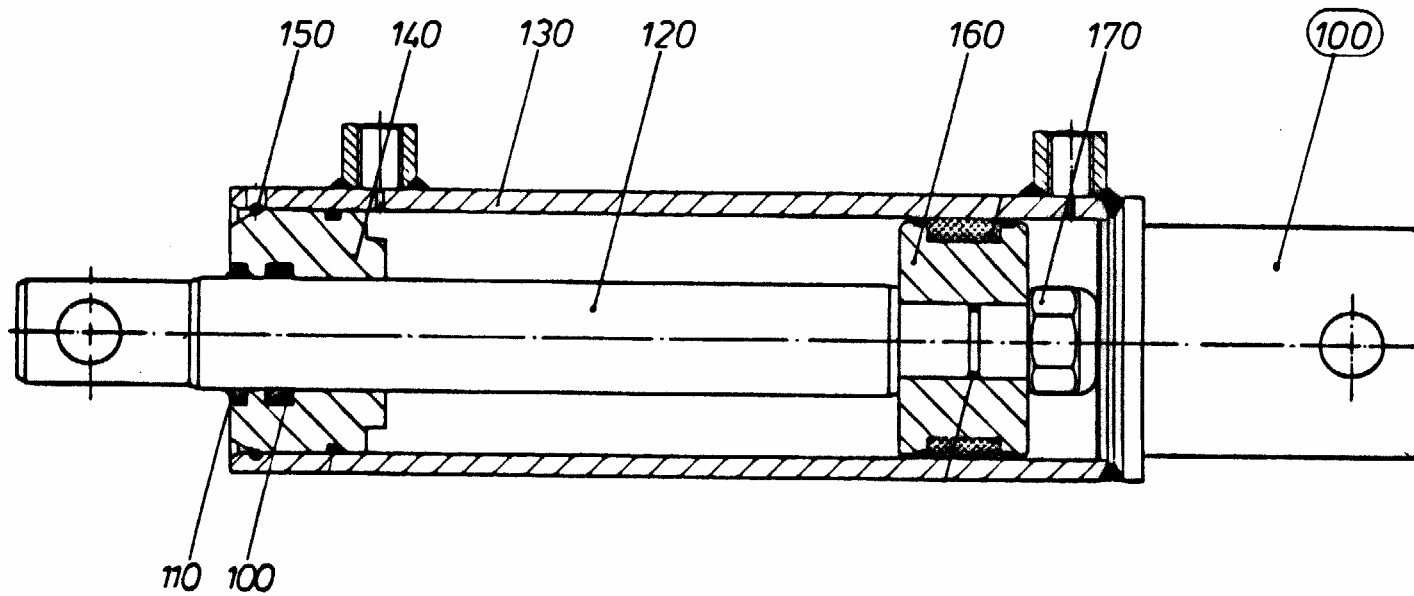
Hydraulic cylinder lateral HX 1-4

Pos	Article. No.	Quant.	Designation	Size	Description
190	28605510	1.0	Side cylinder	70-48-40-31.2 HUB	Zylinder montiert in fahrtr. rechts
190	28605516	1.0	Side cylinder with end position damping	70-48-42-31.2 HUB	Zylinder montiert in fahrtr. links
200	87001448	1.0	Sealing set for hydraulic cylinder	n.Zg. 286-05.510	
200	87010301	1.0	Seal set for hydraulic cylinder	n.Zg. 286-05.516	
210	87008711	1.0	Piston rod complete		
210	88002413	1.0	Piston rod with piston for 286-05.516	000 21 765 (incl. Dichtung)	
220	88001908	2.0	Non-return valve /Dr 12 /3 bar		
230	87008712	2.0	Cylinder pipe complete for 286-05.510		
240	87008713	2.0	Guide bushing for 286-05.510		
250	88001965	4.0	Securing wire for 286-05.510		



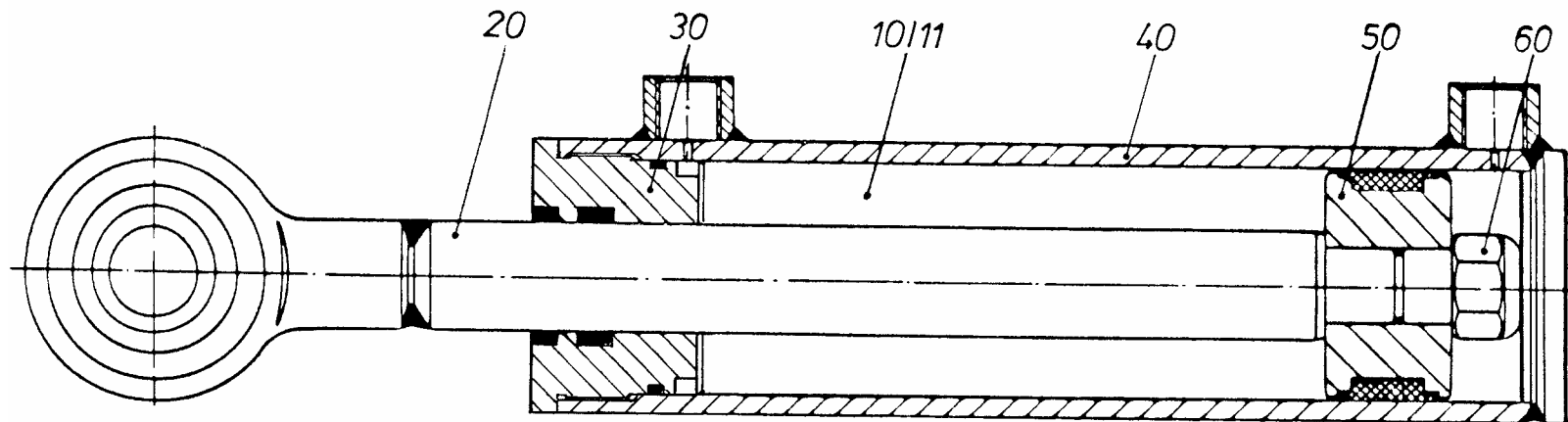
Hydraulic cylinder for lifting frame HX 1-4

Pos	Article. No.	Quant.	Designation	Size	Description
001	24803500	1.0	Hydraulic cylinder for lifting frame		
002	87001303	1.0	Seal set for lifting frame attachment	n.Zg. 248-03.500	ohne Abbildung
010	88001821	1.0	Piston rod for 248-03.500		
020	88001822	1.0	Cylinder pipe complete for 248-03.500		
030	88001823	1.0	Guide bushing for 248-03.500		
040	88001831	1.0	Spring ring for 248-03.500	RB 70	
050	88001832	1.0	Spring ring for 248-03.500	di 45x4/12 offen	
060	88001824	1.0	Guide bushing for 248-03.500		



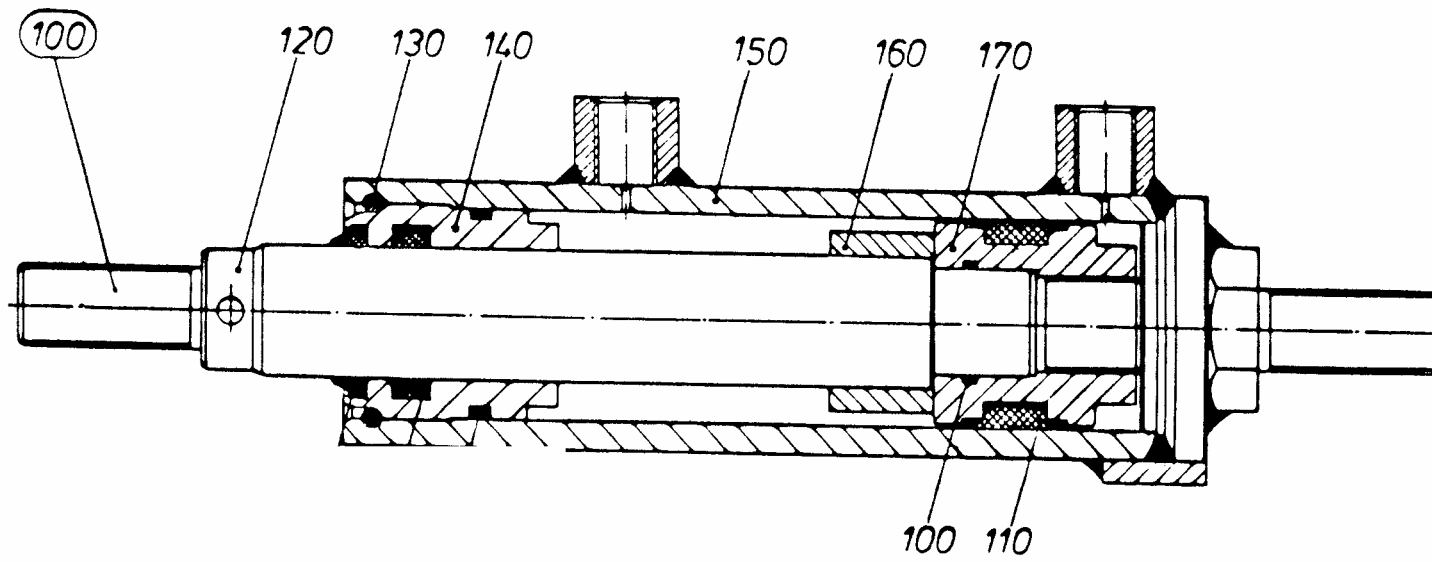
Hydraulic cylinder for pusher HX 1-4

Pos	Article. No.	Quant.	Designation	Size	Description
100	26563501	1.0	Hydraulic cylinder		
110	87001357	1.0	Sealing set for hydraulic cylinder	n.Zg. 265-63.501	ohne Abbildung
120	88001819	1.0	Piston rod for 265-63.501		
130	88001820	1.0	Cylinder pipe complete for 265-63.501		
140	88001816	1.0	Guide bushing for 241-05.505		
150	88001833	1.0	Spring ring for 265-63.501	RB 65	
160	88001818	1.0	Piston for 241-05.505		
170	88001834	1.0	Locknut for 265-63.501	M 18 x 1,5	



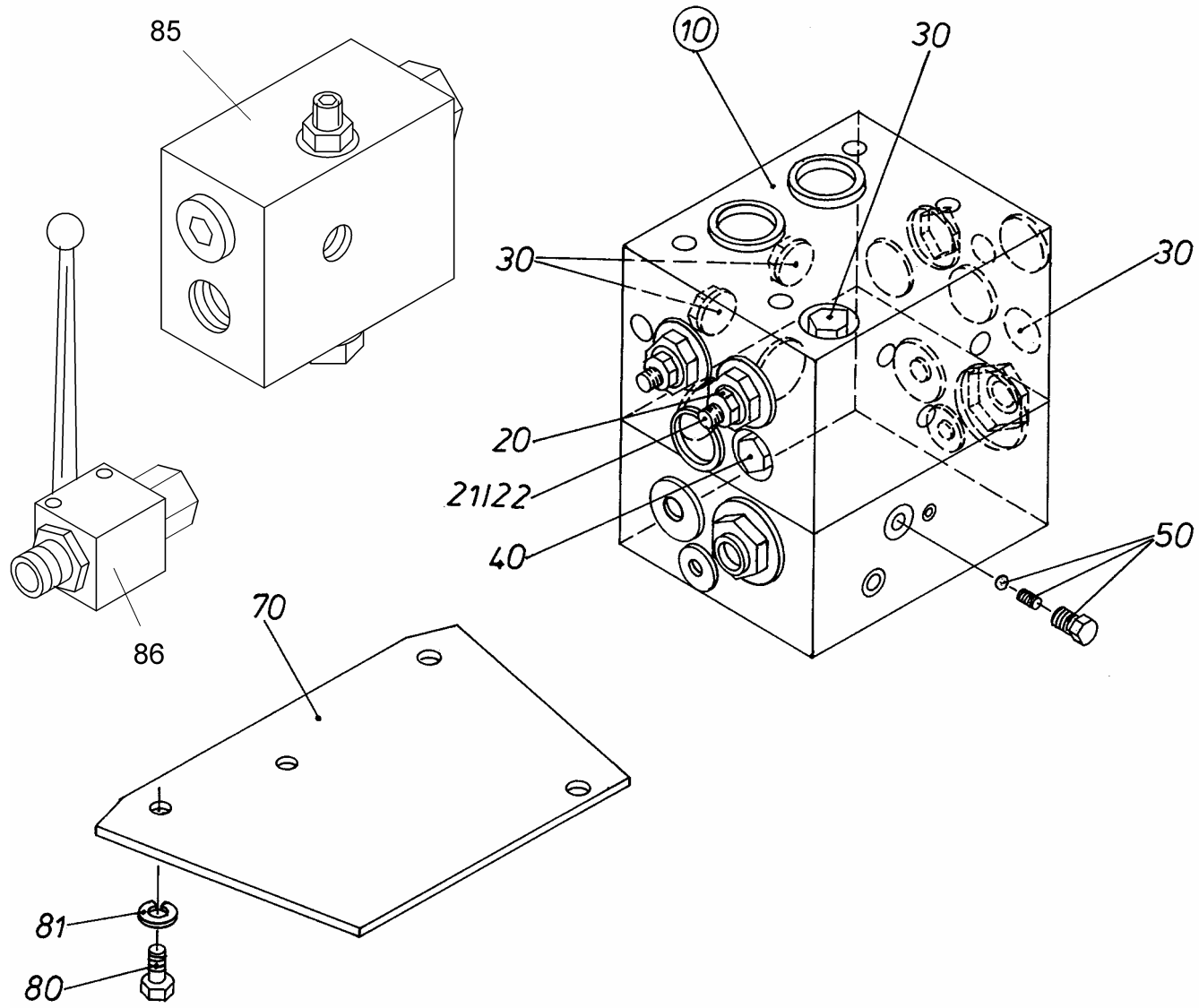
Hydraulic cylinder for upper link HX 1-4

Pos	Article. No.	Quant.	Designation	Size	Description
010	24105505	1.0	Hydraulic cylinder for upper link		
011	87001409	1.0	Sealing set for hydraulic cylinder	n.Zg. 241-62.504	ohne Abbildung
020	88002401	1.0	Piston rod	RD 30 x 319 00.02.1141A	
030	88002402	1.0	Guide bushing for cylinder	241-05.505 - 00.04.0175	
040	88002403	1.0	Cylinder pipe complete for cylinder	241-05.505 00.01.0127A	
050	88001818	1.0	Piston for 241-05.505		
060	88001834	1.0	Locknut for 265-63.501	M 18 x 1,5	



Hydraulic cylinder for cross pusher HX 1-4

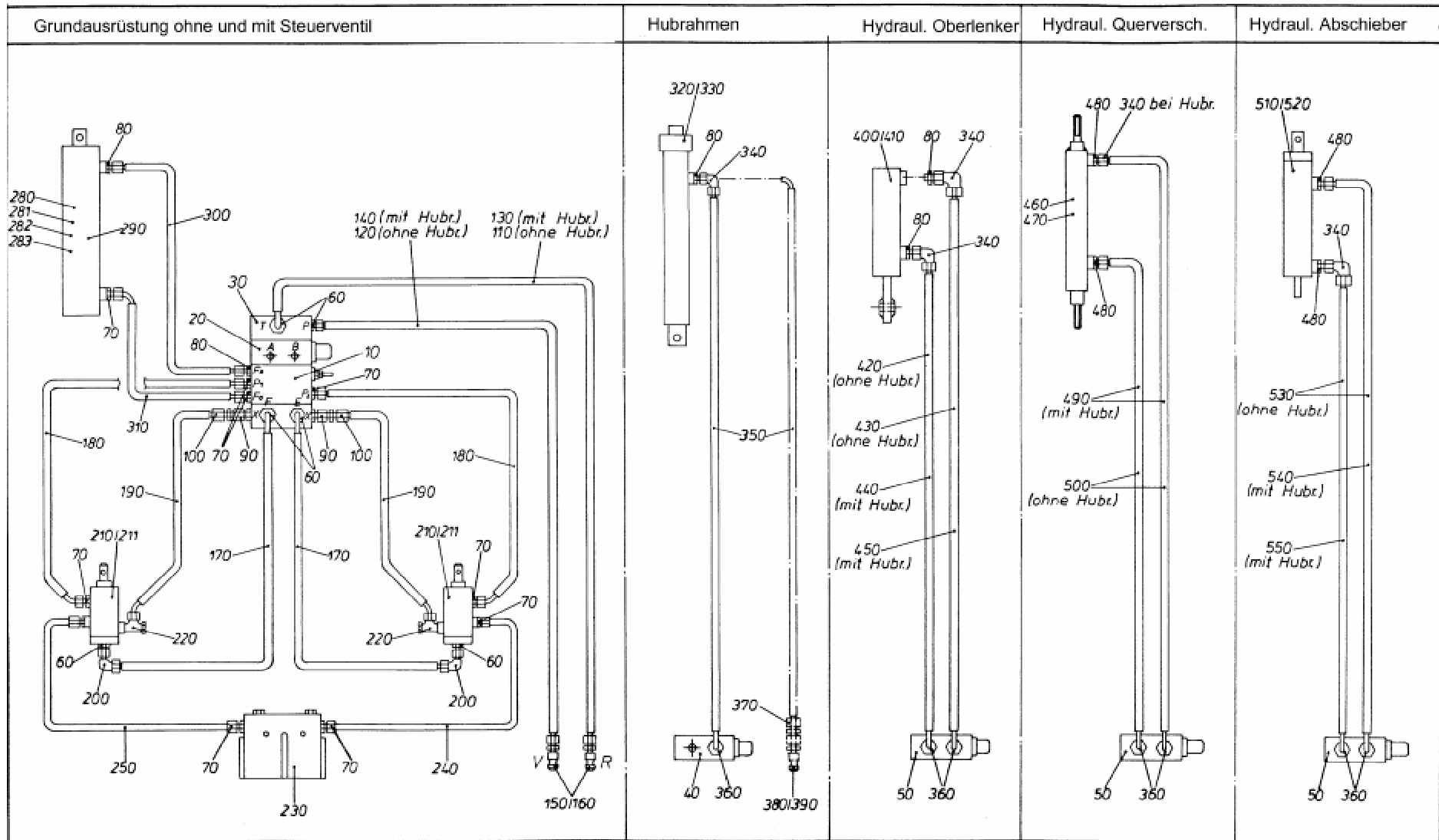
Pos	Article. No.	Quant.	Designation	Size	Description
100	26568500	1.0	Lift cylinder double-acting	F. HYDR.-QUERVERSCHIEBUNG	
110	87001312	1.0	[Dichtungssatz f. Hubzyl.- Quer.]	n.Zg. 265-68.500	ohne Abbildung
120	88001810	1.0	Piston rod for 265-68.500		
130	88001835	1.0	Spring ring for 265-68.500	RB 42	
140	88001811	1.0	Guide bushing for 265-68.500		
150	88001812	1.0	Cylinder pipe complete for 265-68.500		
160	88001813	1.0	Distance bush for 265-68.500		
170	88001814	1.0	Piston for 265-68.500		



Basic valve actuator HX

Pos	Article. No.	Quant.	Designation	Size	Description
010	28605507	1.0	Valve actuator with pump deact.	W 3071-10-S / HC-KURZHUB	
020	87009043	1.0	Pressure reducing valve complete	W 2291-997-S	Einstellung: 210 bar
021	86503361	1.0	Threaded pin	M 8 x 25	
022	87009044	1.0	Sealing nut / M 8		
030	87009045	4.0	Suction pressure valve	W 3051-350-S	
040	87001793	1.0	Non-return valve complete	W 2291-977-SE / F. HC-HT-HK	
050	87009047	1.0	Catch mechanism complete	W 2291-978-S	
060	86507518	2.0	O-ring seal	12 x 2	
070	28605200	1.0	Attaching plate	5 x 105 x 180	
080	86502013	2.0	Hexagon screw DIN 933 galvanized.	M 8 x 16	
081	86500753	2.0	Spring washer DIN 127 galvanized	A 8	
085	28605518	1.0	Two-way current regulator NG6	W 3209-10-S	f. HX
086	87000312	1.0	Block ball valve galvanized	BKH 8L-18x1,5 08 1113 1	f. HX

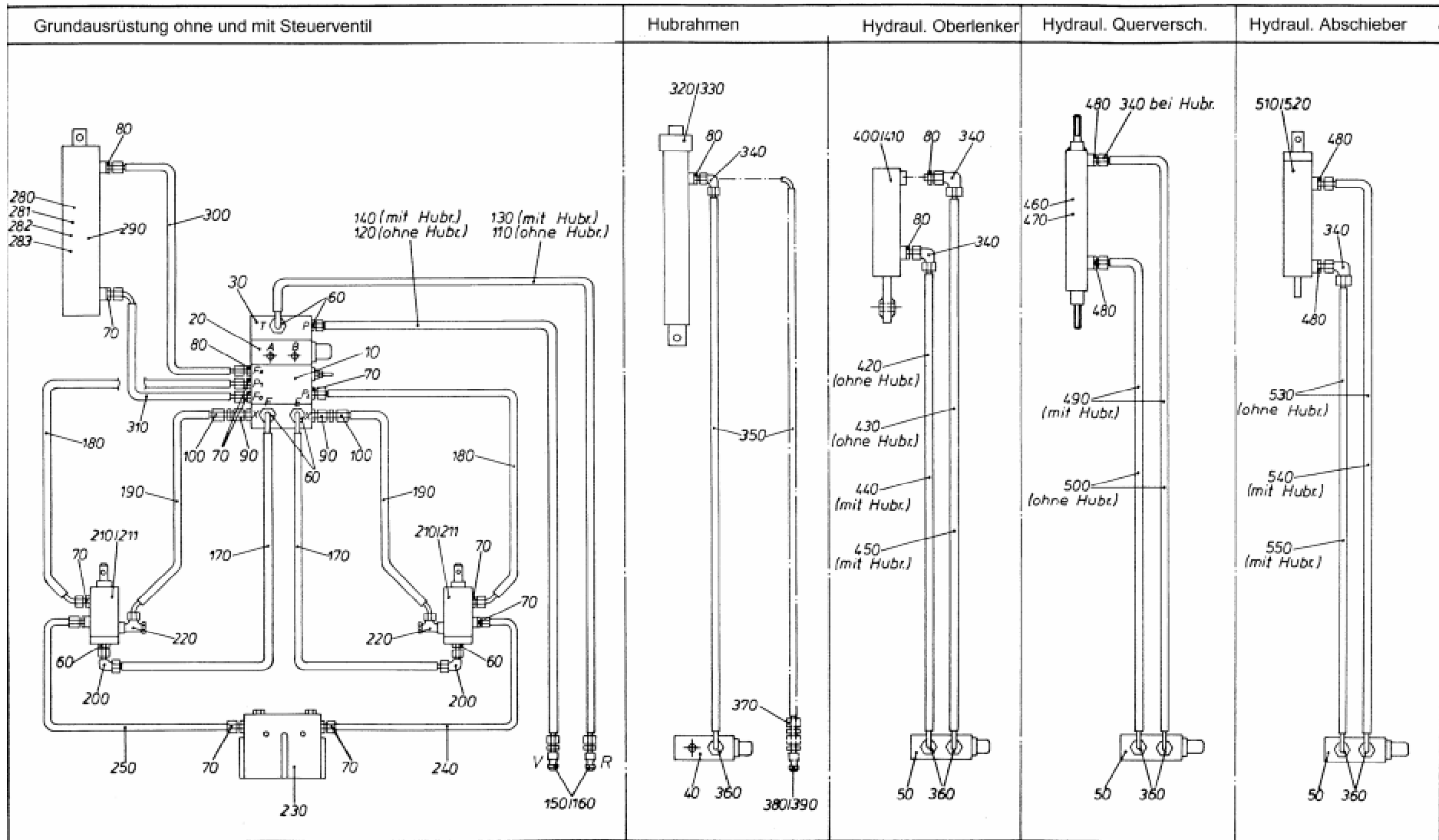
Hydraulik in Verbindung mit mechanischer Fernbedienung (Bowdenzug) Hydrofox HX 1-4 (Serienausüstung)



Hydr. conn. diagram HX with remote control mech.

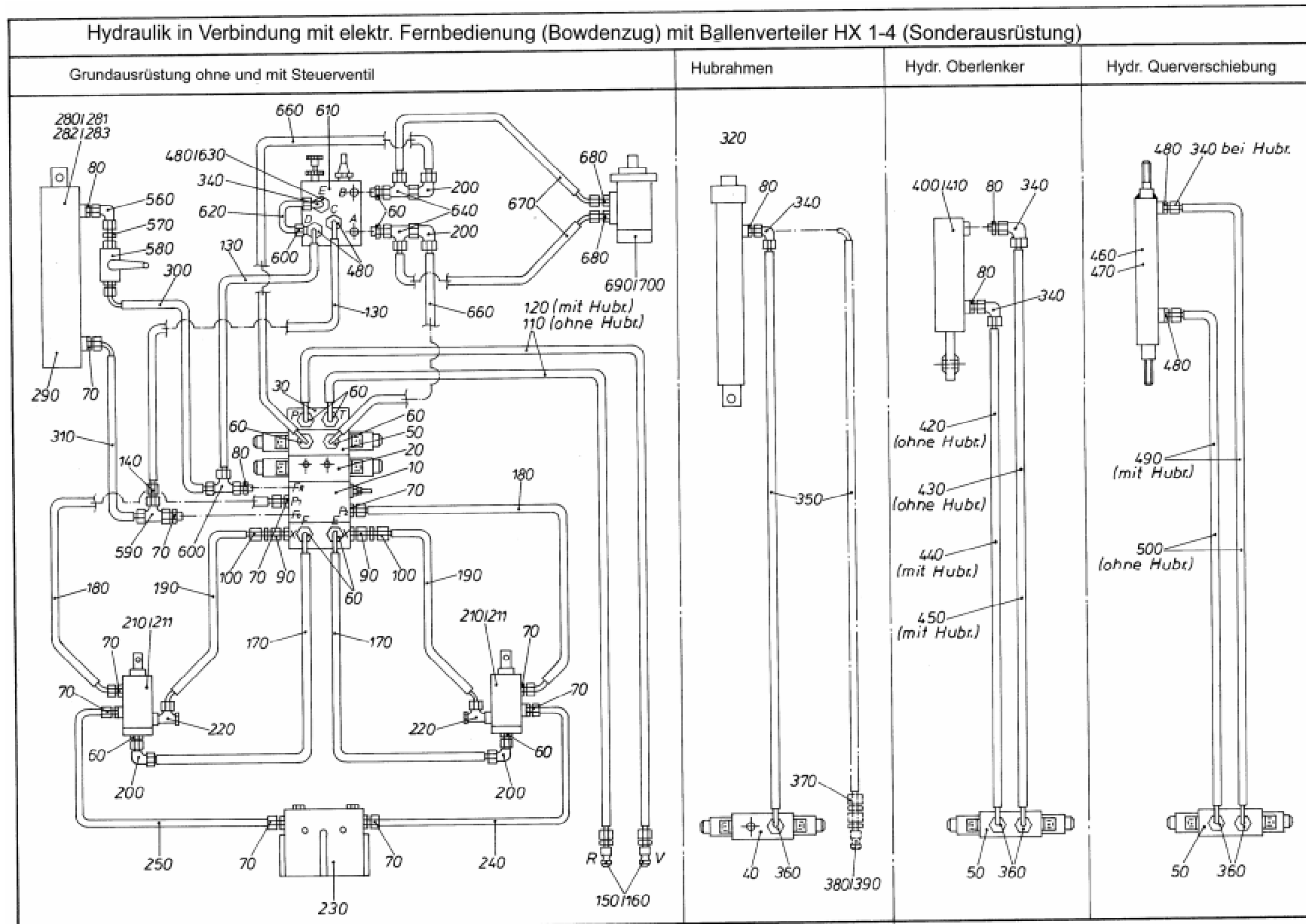
Pos	Article. No.	Quant.	Designation	Size	Description
010	28605507	1.0	Valve actuator with pump deact.	W 3071-10-S / HC-KURZHUB	
020	28652500	1.0	Control unit for cutting frame	W 2291-350-S	
030	28652501	1.0	Pump input plate	W 2291-200-S	
040	28652502	1.0	Control valve single-acting	W 2291-150-S-EW	
050	28652503	3.0	Control valve double-acting	W 2291-150-S-DW	
060	87000454	4.0	Straight screw-in connection	XGE 15-PLM	
070	87000465	9.0	Straight screw-in connection	XGE 12-PLM	
080	87000463	4.0	Straight screw-in connection	XGE 8-PL/M 16x1,5	
090	87000332	2.0	Non-return valve galvanized	RHZ 8 - PLM ed 3 bar	
100	24305510	2.0	Filter disc (wire meshing)	DR 0,16 MW=0,27 mm	
110	87000835	1.0	Hydr. hose 2 SN 12 1500 lg	DR 15 / DR 15x90^	ohne Hubrahmen
120	87000838	1.0	Hydr. hose 2 SN 12 1500 lg	DR 15 / DR 15	ohne Hubrahmen
130	87000946	1.0	Hydr. hose 2 SN 12 3000 lg	DR 15 / DR 15x90^	mit Hubrahmen
140	87000988	1.0	Hydr. hose 2 SN 12 3000 lg	DR 15 / DR 15	mit Hubrahmen
150	87001504	2.0	Coupling plug for pipe Dr 15	VOSSWINKEL-NR. 43 1332-3	
160	87001506	2.0	Protective cap for coupling plug		
170	87000837	2.0	Hydr. hose 2 SN 12 2200 lg	DR 15 / DR 15x90^	
180	87001096	2.0	Hydr. hose 2 SN 10 2200 lg	DR 12 / DR 12x45^	
190	87001095	2.0	Hydr. hose 1 SN 6 2300 lg	DR 8 / DR 8x45^	
200	87000455	2.0	Adjustable bracket adapter	XEVW 15-PL	M+D
210	28605510	1.0	Side cylinder	70-48-40-31.2 HUB	
211	87001448	2.0	Sealing set for hydraulic cylinder	n.Zg. 286-05.510	ohne Abbildung
212	28605516	1.0	Side cylinder with end position damping	70-48-42-31.2 HUB	ohne Abbildung
213	87010301	1.0	Seal set for hydraulic cylinder	n.Zg. 286-05.516	ohne Abbildung
220	87000603	1.0	Swivel joint	XSWVE 8-PLM	
230	28605517	1.0	Cylinder block	4 x DR 25 - Hub 32	
240	28605300	1.0	Hydraulic pipe right galvanized	DR 12 x 1,5 x 1865	
250	28605301	1.0	Hydraulic pipe left galvanized	DR 12 x 1,5 x 1865	
260	87000563	4.0	Cutting ring	DPR 12-L	ohne Abbildung
270	87000561	4.0	Screw cap	M 12-L	ohne Abbildung
280	26405500	1.0	Hydraulic cylinder / HP1		
281	26505500	1.0	Hydraulic cylinder / HP2		
282	26605501	1.0	Hydraulic cylinder / HP3	DW-ZYL. 90/50-1069- 910	

Hydraulik in Verbindung mit mechanischer Fernbedienung (Bowdenzug) Hydrofox HX 1-4 (Serienausüstung)



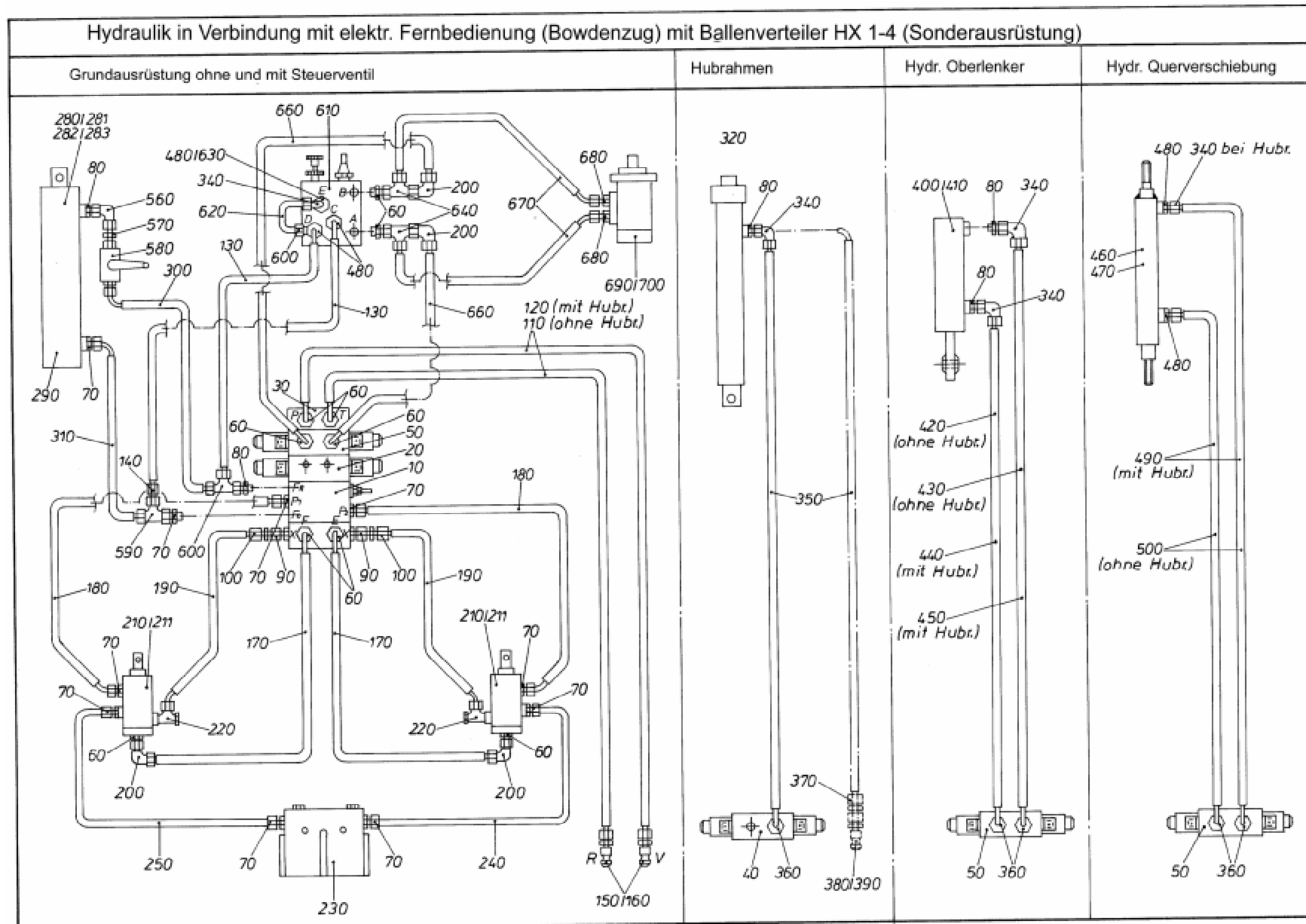
Hydr. conn. diagram HX with remote control mech.

Pos	Article. No.	Quant.	Designation	Size	Description
283	26705501	1.0	Hydraulic cylinder / HP4	DW-ZYL. 90/50-1169-1010	
290	87001313	1.0	Sealing set for hydraulic cylinder	n.Zg. 264/265/266/267-05.500	ohne Abbildung
291	87001469	1.0	Sealing set for hydraulic cylinder	n.Zg. 266/267-05.501	
300	87000830	1.0	Hydr. hose 1 SN 6 600 lg	DR 8 / DR 8x90^	
310	87000943	1.0	Hydr. hose 1 SN 10 1300 lg	DR 12 / DR 12x90^	
320	24803500	1.0	Hydraulic cylinder for lifting frame		
330	87001303	1.0	Seal set for lifting frame attachment	n.Zg. 248-03.500	ohne Abbildung
340	87000461	6.0	Adjustable bracket adapter	XEVW 8-PL M+D	
350	87000972	1.0	Hydr. hose 1 SN 6 1900 lg	DR 8 / DR 8x90^	
360	87000477	7.0	Straight screw-in connection	XGE 8-PL/M 18x1,5	
370	87000475	1.0	Straight reducing fitting	XGR 12/ 8-PL	
380	87001411	1.0	Sealing set for hydraulic cylinder	n.Zg. 297-05.507	
390	87001506	1.0	Protective cap for coupling plug		
400	24162700	1.0	Hydraulic cylinder complete	(F. OBERLENKER KAT.II)	
410	87001409	1.0	Sealing set for hydraulic cylinder	n.Zg. 241-62.504	ohne Abbildung
420	87000849	1.0	Hydr. hose 1 SN 6 1000 lg	DR 8 / DR 8x90^	ohne Hubrahmen
430	87000831	1.0	Hydr. hose 1 SN 6 1300 lg	DR 8 / DR 8x90^	ohne Hubrahmen
440	87000840	1.0	Hydr. hose 1 SN 6 2400 lg	DR 8 / DR 8x90^	mit Hubrahmen
450	87000862	1.0	Hydr. hose 1 SN 6 2700 lg	DR 8 / DR 8x90^	mit Hubrahmen
460	26568500	1.0	Lift cylinder double-acting	F. HYDR.-QUERVERSCHIEBUNG	
470	87001312	1.0	[Dichtungssatz f. Hubzyl.- Quer.]	n.Zg. 265-68.500	ohne Abbildung
480	87000459	4.0	Straight screw-in connection	XGE 8-PLM	
490	87000842	2.0	Hydr. hose 1 SN 6 2800 lg	DR 8 / DR 8x90^	mit Hubrahmen
500	87000877	2.0	Hydr. hose 1 SN 6 1200 lg	DR 8 / DR 8x90^	ohne Hubrahmen
510	26563501	1.0	Hydraulic cylinder		
520	87001357	1.0	Sealing set for hydraulic cylinder	n.Zg. 265-63.501	ohne Abbildung
530	87000849	2.0	Hydr. hose 1 SN 6 1000 lg	DR 8 / DR 8x90^	ohne Hubrahmen
540	87000827	1.0	Hydr. hose 1 SN 6 3200 lg	DR 8 / DR 8x90^	mit Hubrahmen
550	87000924	1.0	Hydr. hose 1 SN 6 3400 lg	DR 8 / DR 8x90^	mit Hubrahmen
560	28605518	1.0	Two-way current regulator NG6	W 3209-10-S	ohne Abbildung
570	87000312	1.0	Block ball valve galvanized	BKH 8L-18x1,5 08 1113 1	ohne Abbildung



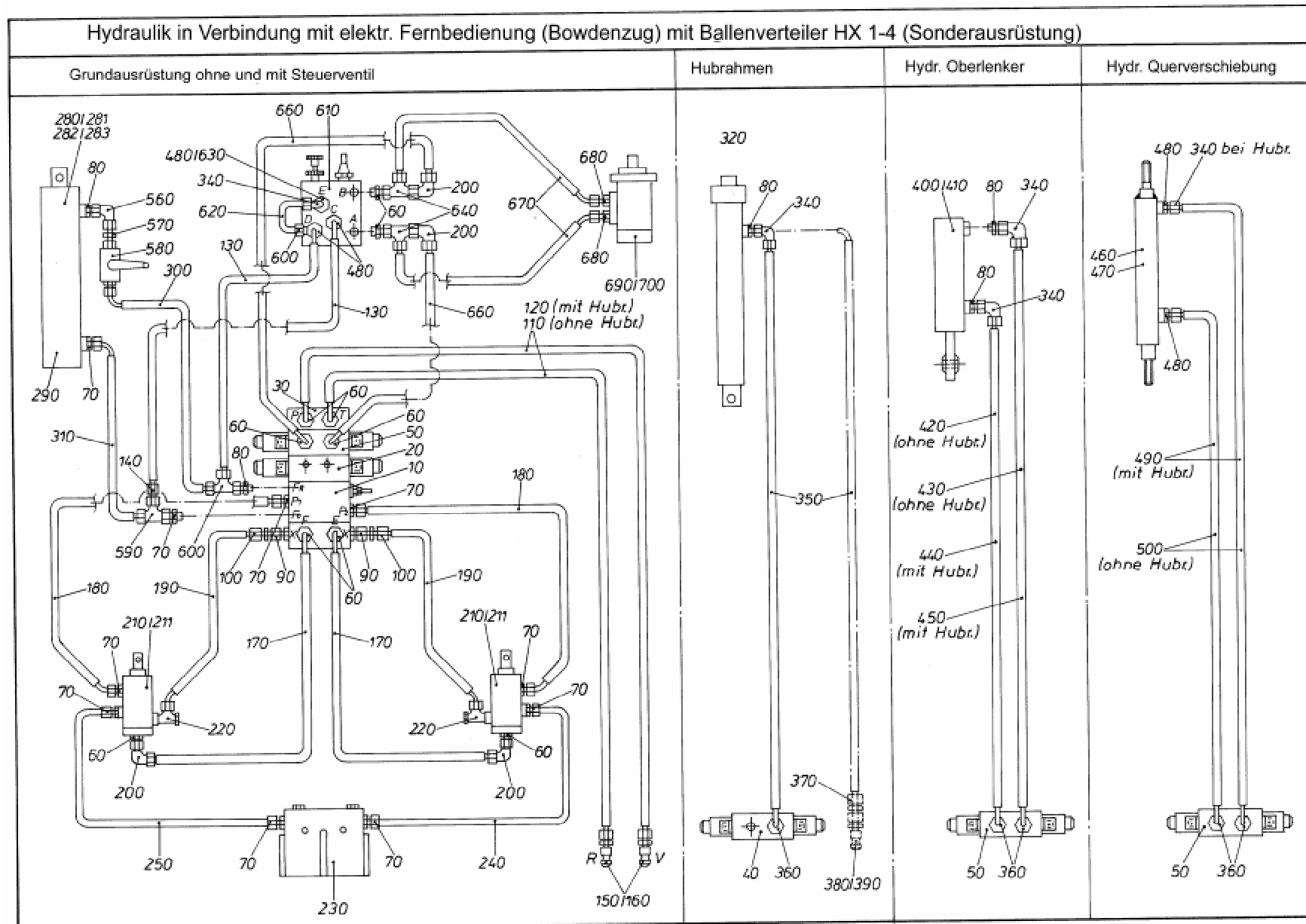
Hydr. con. diagr. HX w. rem. contr. electroh. SBV

Pos	Article. No.	Quant.	Designation	Size	Description
010	28605507	1.0	Valve actuator with pump deact.	W 3071-10-S / HC-KURZHUB	
020	87009027	1.0	Control unit	W 3047-10-S	
030	87009012	1.0	Pump input plate	W 3047-150-S	
040	87009048	1.0	Control unit /only for ET department	W 3047-100-S-EW	
050	87009014	3.0	Control unit	W 3047-100-S-DW	
060	87000454	8.0	Straight screw-in connection	XGE 15-PLM	
070	87000465	10.0	Straight screw-in connection	XGE 12-PLM	
080	87000463	4.0	Straight screw-in connection	XGE 8-PL/M 16x1,5	
090	87000332	2.0	Non-return valve galvanized	RHZ 8 - PLM ed 3 bar	
100	24305510	2.0	Filter disc (wire meshing)	DR 0,16 MW=0,27 mm	
110	87000835	2.0	Hydr. hose 2 SN 12 1500 lg	DR 15 / DR 15x90^	ohne Hubrahmen
120	87000946	2.0	Hydr. hose 2 SN 12 3000 lg	DR 15 / DR 15x90^	
130	87000847	2.0	Hydr. hose 1 SN 6 500 lg	DR 8 / DR 8x90^	
140	87000464	1.0	Cone reducing connection	KOR 12/ 8-PL o. MD	
150	87001504	2.0	Coupling plug for pipe Dr 15	VOSSWINKEL-NR. 43 1332-3	
160	87001506	2.0	Protective cap for coupling plug		
170	87000837	2.0	Hydr. hose 2 SN 12 2200 lg	DR 15 / DR 15x90^	
180	87001096	2.0	Hydr. hose 2 SN 10 2200 lg	DR 12 / DR 12x45^	
190	87001095	2.0	Hydr. hose 1 SN 6 2300 lg	DR 8 / DR 8x45^	
200	87000455	4.0	Adjustable bracket adapter	XEVW 15-PL	M+D
210	28605510	1.0	Side cylinder	70-48-40-31.2 HUB	
211	87001448	1.0	Sealing set for hydraulic cylinder	n.Zg. 286-05.510	ohne Abbildung
212	28605516	1.0	Side cylinder with end position damping	70-48-42-31.2 HUB	ohne Abbildung
213	87010301	1.0	Seal set for hydraulic cylinder	n.Zg. 286-05.516	ohne Abbildung
220	87000603	1.0	Swivel joint	XSWVE 8-PLM	
230	28605517	1.0	Cylinder block	4 x DR 25 - Hub 32	
240	28605300	1.0	Hydraulic pipe right galvanized	DR 12 x 1,5 x 1865	
250	28605301	1.0	Hydraulic pipe left galvanized	DR 12 x 1,5 x 1865	
260	87000563	4.0	Cutting ring	DPR 12-L	ohne Abbildung
270	87000561	4.0	Screw cap	M 12-L	ohne Abbildung
280	26405500	1.0	Hydraulic cylinder / HP1		
281	26505500	1.0	Hydraulic cylinder / HP2		
282	26605501	1.0	Hydraulic cylinder / HP3	DW-ZYL. 90/50-1069- 910	



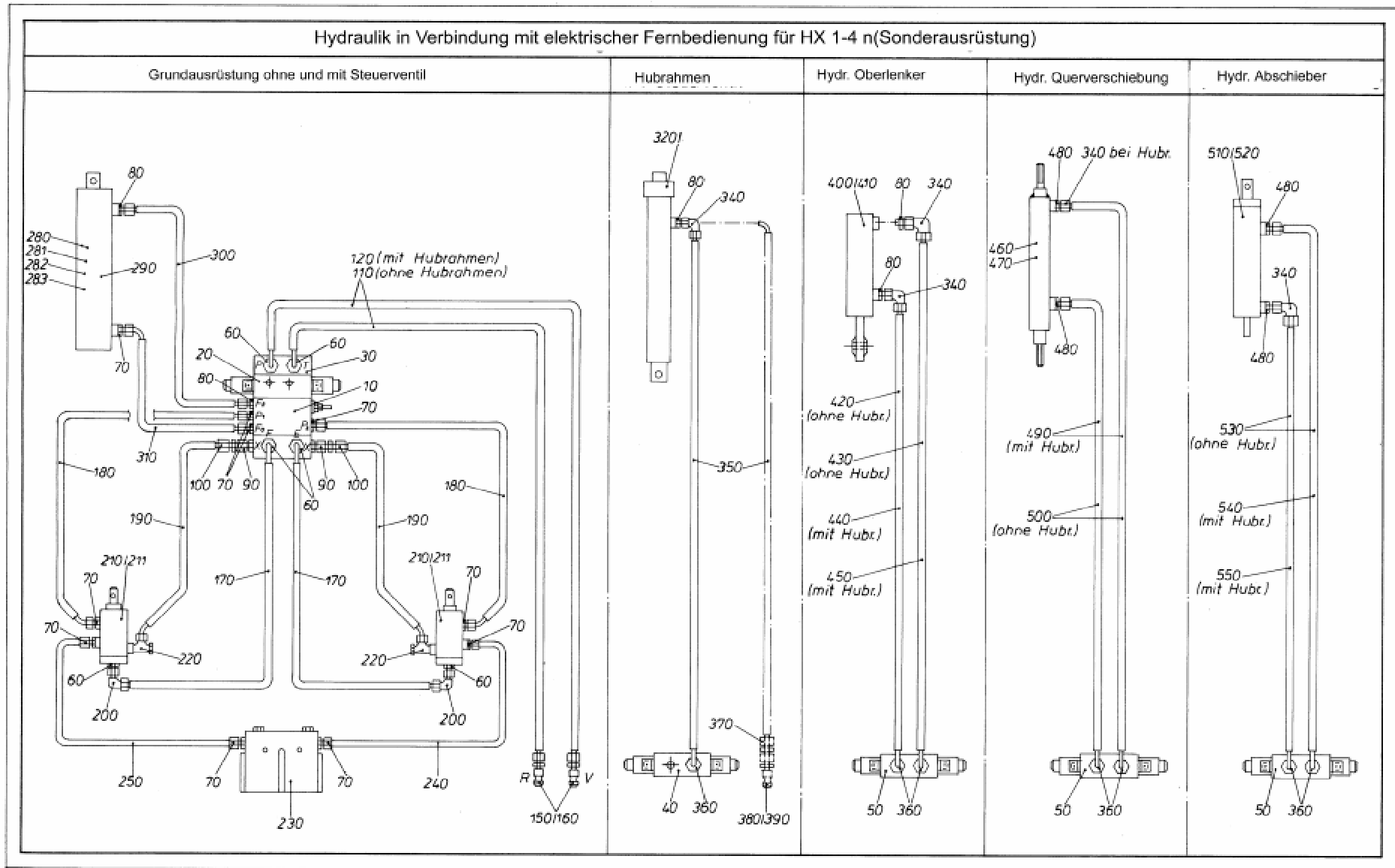
Hydr. con. diagr. HX w. rem. contr. electroh. SBV

Pos	Article. No.	Quant.	Designation	Size	Description
283	26705501	1.0	Hydraulic cylinder / HP4	DW-ZYL. 90/50-1169-1010	
290	87001313	1.0	Sealing set for hydraulic cylinder	n.Zg. 264/265/266/267-05.500	ohne Abbildung
291	87001469	1.0	Sealing set for hydraulic cylinder	n.Zg. 266/267-05.501	ohne Abbildung
300	87000830	1.0	Hydr. hose 1 SN 6 600 lg	DR 8 / DR 8x90^	
300	87001303	1.0	Seal set for lifting frame attachment	n.Zg. 248-03.500	ohne Abbildung
310	87000943	1.0	Hydr. hose 1 SN 10 1300 lg	DR 12 / DR 12x90^	
320	24803500	1.0	Hydraulic cylinder for lifting frame		
340	87000461	5.0	Adjustable bracket adapter	XEVW 8-PL M+D	
350	87000972	1.0	Hydr. hose 1 SN 6 1900 lg	DR 8 / DR 8x90^	
360	87000477	5.0	Straight screw-in connection	XGE 8-PL/M 18x1,5	
370	87000475	1.0	Straight reducing fitting	XGR 12/ 8-PL	
380	87000411	1.0	Coupling plug for pipe Dr 12	VOSSWINKEL-NR. 43 1032-3	
390	87001506	1.0	Protective cap for coupling plug		
400	24162700	1.0	Hydraulic cylinder complete	(F. OBERLENKER KAT.II)	
410	87001409	1.0	Sealing set for hydraulic cylinder	n.Zg. 241-62.504	ohne Abbildung
420	87000849	1.0	Hydr. hose 1 SN 6 1000 lg	DR 8 / DR 8x90^	ohne Hubrahmen
430	87000831	1.0	Hydr. hose 1 SN 6 1300 lg	DR 8 / DR 8x90^	ohne Hubrahmen
440	87000840	1.0	Hydr. hose 1 SN 6 2400 lg	DR 8 / DR 8x90^	mit Hubrahmen
450	87000862	1.0	Hydr. hose 1 SN 6 2700 lg	DR 8 / DR 8x90^	mit Hubrahmen
460	26568500	1.0	Lift cylinder double-acting	F. HYDR.-QUERVERSCHIEBUNG	
470	87001312	1.0	[Dichtungssatz f. Hubzyl.- Quer.]	n.Zg. 265-68.500	ohne Abbildung
480	87000459	5.0	Straight screw-in connection	XGE 8-PLM	
490	87000842	2.0	Hydr. hose 1 SN 6 2800 lg	DR 8 / DR 8x90^	mit Hubrahmen
500	87000877	2.0	Hydr. hose 1 SN 6 1200 lg	DR 8 / DR 8x90^	ohne Hubrahmen
560	87000460	1.0	Adjustable bracket adapter	XEVW 12-PL M+D	
570	87000482	1.0	Straight screw-in adapter with shaft	EVGE 12-PLM-ED M+D	
580	87000312	1.0	Block ball valve galvanized	BKH 8L-18x1,5 08 1113 1	ohne Abbildung
590	87000469	1.0	Adjustable L-adapter	XEVL 12-PL M+D	
600	87000500	2.0	Adjustable L-adapter	XEVL 8-PL M+D	
610	87000161	1.0	Bucher valve actuator	N. BUCHER-ZG. 414-21.042	
620	27741304	1.0	Hydraulic pipe	DR 8 x 1 x 200	
630	87000305	1.0	Non-return valve	RHV 8-PLM-ED (3,0 BAR)	
640	87000453	2.0	Adjustable L-adapter	XEVL 15-PL M+D	



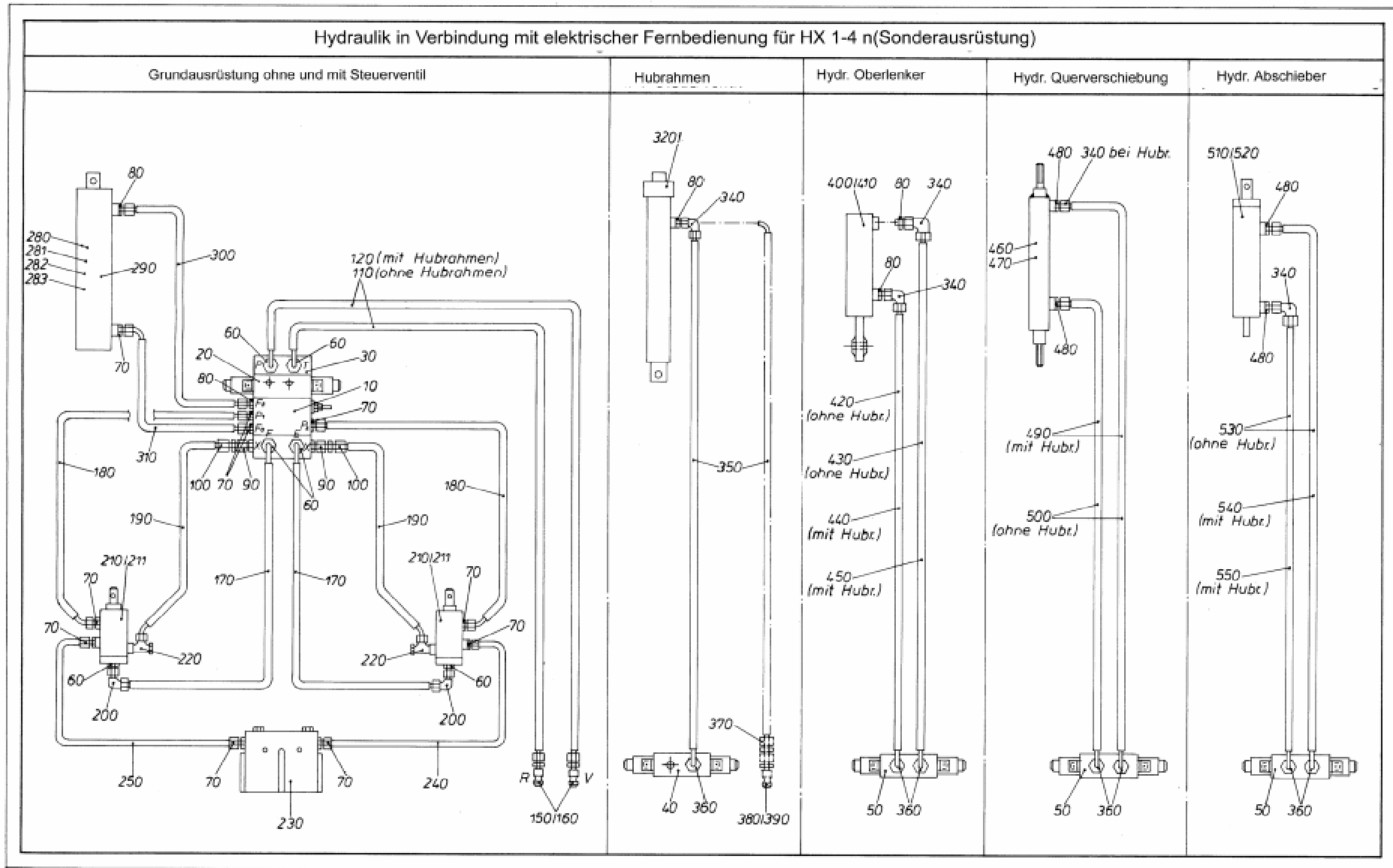
Hydr. con. diagr. HX w. rem. contr. electroh. SBV

Pos	Article. No.	Quant.	Designation	Size	Description
650	26541506	2.0	Filter disc	DR 15	ohne Abbildung
660	87000914	2.0	Hydr. hose 2 SN 12 500 lg	DR 15 / DR 15x90^	
670	87000928	2.0	Hydr. hose 2 SN 12 2600 lg	DR 15 / DR 15x45^	
680	87000484	2.0	Straight screw-in connection	XGE 15-PLR	
690	87000043	1.0	Hydraulic motor / 151-6017	OMRA 315	
700	87001325	1.0	Seal set for hydraulic motor	N.NR. 87000004	ohne Abbildung
710	28605518	1.0	Two-way current regulator NG6	W 3209-10-S	ohne Abbildung
720	87000312	1.0	Block ball valve galvanized	BKH 8L-18x1,5 08 1113 1	ohne Abbildung



Hydr. conn. diag. w. remote control electroh.

Pos	Article. No.	Quant.	Designation	Size	Description
010	28605507	1.0	Valve actuator with pump deact.	W 3071-10-S / HC-KURZHUB	
020	87009027	1.0	Control unit	W 3047-10-S	
030	87009012	1.0	Pump input plate	W 3047-150-S	
040	87009048	1.0	Control unit /only for ET department	W 3047-100-S-EW	
050	87009014	3.0	Control unit	W 3047-100-S-DW	
060	87000454	4.0	Straight screw-in connection	XGE 15-PLM	
070	87000465	9.0	Straight screw-in connection	XGE 12-PLM	
080	87000463	4.0	Straight screw-in connection	XGE 8-PL/M 16x1,5	
090	87000332	2.0	Non-return valve galvanized	RHZ 8 - PLM ed 3 bar	
100	24305510	2.0	Filter disc (wire meshing)	DR 0,16 MW=0,27 mm	
110	87000835	2.0	Hydr. hose 2 SN 12 1500 lg	DR 15 / DR 15x90^	ohne Hubrahmen
120	87000946	2.0	Hydr. hose 2 SN 12 3000 lg	DR 15 / DR 15x90^	
150	87001504	2.0	Coupling plug for pipe Dr 15	VOSSWINKEL-NR. 43 1332-3	
160	87001506	2.0	Protective cap for coupling plug		
170	87000837	2.0	Hydr. hose 2 SN 12 2200 lg	DR 15 / DR 15x90^	
180	87001096	2.0	Hydr. hose 2 SN 10 2200 lg	DR 12 / DR 12x45^	
190	87001095	2.0	Hydr. hose 1 SN 6 2300 lg	DR 8 / DR 8x45^	
200	87000455	2.0	Adjustable bracket adapter	XEVW 15-PL	M+D
210	28605510	2.0	Side cylinder	70-48-40-31.2 HUB	
211	87001448	2.0	Sealing set for hydraulic cylinder	n.Zg. 286-05.510	ohne Abbildung
212	28605516	1.0	Side cylinder with end position damping	70-48-42-31.2 HUB	ohne Abbildung
213	87010301	1.0	Seal set for hydraulic cylinder	n.Zg. 286-05.516	ohne Abbildung
220	87000603	1.0	Swivel joint	XSWVE 8-PLM	
230	28605517	1.0	Cylinder block	4 x DR 25 - Hub 32	
240	28605300	1.0	Hydraulic pipe right galvanized	DR 12 x 1,5 x 1865	
250	28605301	1.0	Hydraulic pipe left galvanized	DR 12 x 1,5 x 1865	
260	87000563	4.0	Cutting ring	DPR 12-L	ohne Abbildung
270	87000561	4.0	Screw cap	M 12-L	ohne Abbildung
280	26405500	1.0	Hydraulic cylinder / HP1		
281	26505500	1.0	Hydraulic cylinder / HP2		
282	26605500	1.0	Hydraulic cylinder / HP3		
283	26705500	1.0	Hydraulic cylinder / HP4		
290	87001313	1.0	Sealing set for hydraulic cylinder	n.Zg. 264/265/266/267-05.500	ohne Abbildung



Hydr. conn. diag. w. remote control electroh.

Pos	Article. No.	Quant.	Designation	Size	Description
300	87000830	1.0	Hydr. hose 1 SN 6 600 lg	DR 8 / DR 8x90^	
300	87001303	1.0	Seal set for lifting frame attachment	n.Zg. 248-03.500	ohne Abbildung
310	87000943	1.0	Hydr. hose 1 SN 10 1300 lg	DR 12 / DR 12x90^	
320	24803500	1.0	Hydraulic cylinder for lifting frame		
340	87000461	6.0	Adjustable bracket adapter	XEVW 8-PL M+D	
350	87000972	1.0	Hydr. hose 1 SN 6 1900 lg	DR 8 / DR 8x90^	
360	87000477	7.0	Straight screw-in connection	XGE 8-PL/M 18x1,5	
370	87000475	1.0	Straight reducing fitting	XGR 12/ 8-PL	
380	87000411	1.0	Coupling plug for pipe Dr 12	VOSSWINKEL-NR. 43 1032-3	
390	87001506	1.0	Protective cap for coupling plug		
400	24162700	1.0	Hydraulic cylinder complete	(F. OBERLENKER KAT.II)	
410	87001409	1.0	Sealing set for hydraulic cylinder	n.Zg. 241-62.504	ohne Abbildung
420	87000849	1.0	Hydr. hose 1 SN 6 1000 lg	DR 8 / DR 8x90^	ohne Hubrahmen
430	87000831	1.0	Hydr. hose 1 SN 6 1300 lg	DR 8 / DR 8x90^	ohne Hubrahmen
440	87000840	1.0	Hydr. hose 1 SN 6 2400 lg	DR 8 / DR 8x90^	mit Hubrahmen
450	87000862	1.0	Hydr. hose 1 SN 6 2700 lg	DR 8 / DR 8x90^	mit Hubrahmen
460	26568500	1.0	Lift cylinder double-acting	F. HYDR.-QUERVERSCHIEBUNG	
470	87001312	1.0	[Dichtungssatz f. Hubzyl.- Quer.]	n.Zg. 265-68.500	ohne Abbildung
480	87000459	4.0	Straight screw-in connection	XGE 8-PLM	
490	87000842	2.0	Hydr. hose 1 SN 6 2800 lg	DR 8 / DR 8x90^	mit Hubrahmen
500	87000877	2.0	Hydr. hose 1 SN 6 1200 lg	DR 8 / DR 8x90^	ohne Hubrahmen
510	26563501	1.0	Hydraulic cylinder		
520	87001357	1.0	Sealing set for hydraulic cylinder	n.Zg. 265-63.501	ohne Abbildung
530	87000849	2.0	Hydr. hose 1 SN 6 1000 lg	DR 8 / DR 8x90^	ohne Hubrahmen
540	87000827	1.0	Hydr. hose 1 SN 6 3200 lg	DR 8 / DR 8x90^	mit Hubrahmen
550	87000924	1.0	Hydr. hose 1 SN 6 3400 lg	DR 8 / DR 8x90^	mit Hubrahmen
560	28605518	1.0	Two-way current regulator NG6	W 3209-10-S	
570	87000312	1.0	Block ball valve galvanized	BKH 8L-18x1,5 08 1113 1	